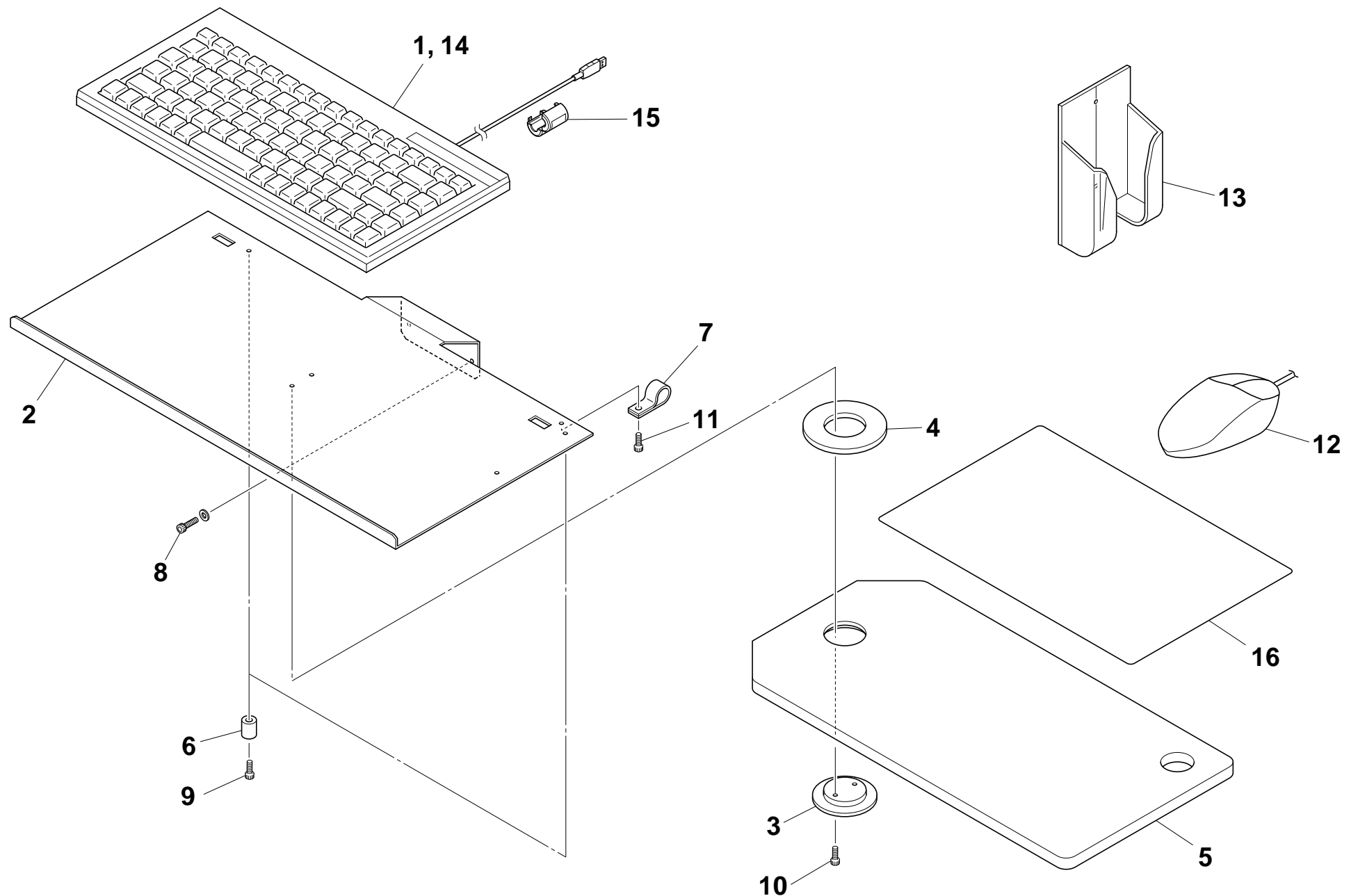


KGT-0311



No.	Part No.	Part Name	Q'ty	Remarks	Date	Revised No.
1	KW3-M5150-01X	KEYBOARD J	1	Japanese		
2	KGT-M13B1-00X	BRACKET, KEYBOARD	1			
3	KGA-M13B2-01X	SHAFT, KEYBOARD	1			
4	KGA-M13B3-00X	COLLAR, KEYBOARD	1			
5	KGA-M13B4-00X	BRACKET, PAD	1			
6	KG2-M1362-00X	STOPPER	2			
7	\$NK-3N	NYLON CLIP	1			
8	91317-04008	BOLT HEX. SOCKET HEAD	2			
9	91317-04012	BOLT HEX. SOCKET HEAD	2			
10	91317-05014	BOLT HEX. SOCKET HEAD	2			
11	97604-04308	SCREW, PAN HEAD W/W	1			
12	KW3-M5169-01X	MOUSE	1			
13	KGA-M13B5-00X	MOUSE POCKET ASSY	1			
14	KW3-M5150-11X	KEYBOARD E	1	English		
15	KK1-M6563-20X	FERRITE CORE	1			
16	KGB-M1391-00X	MOUSE PAD	1			