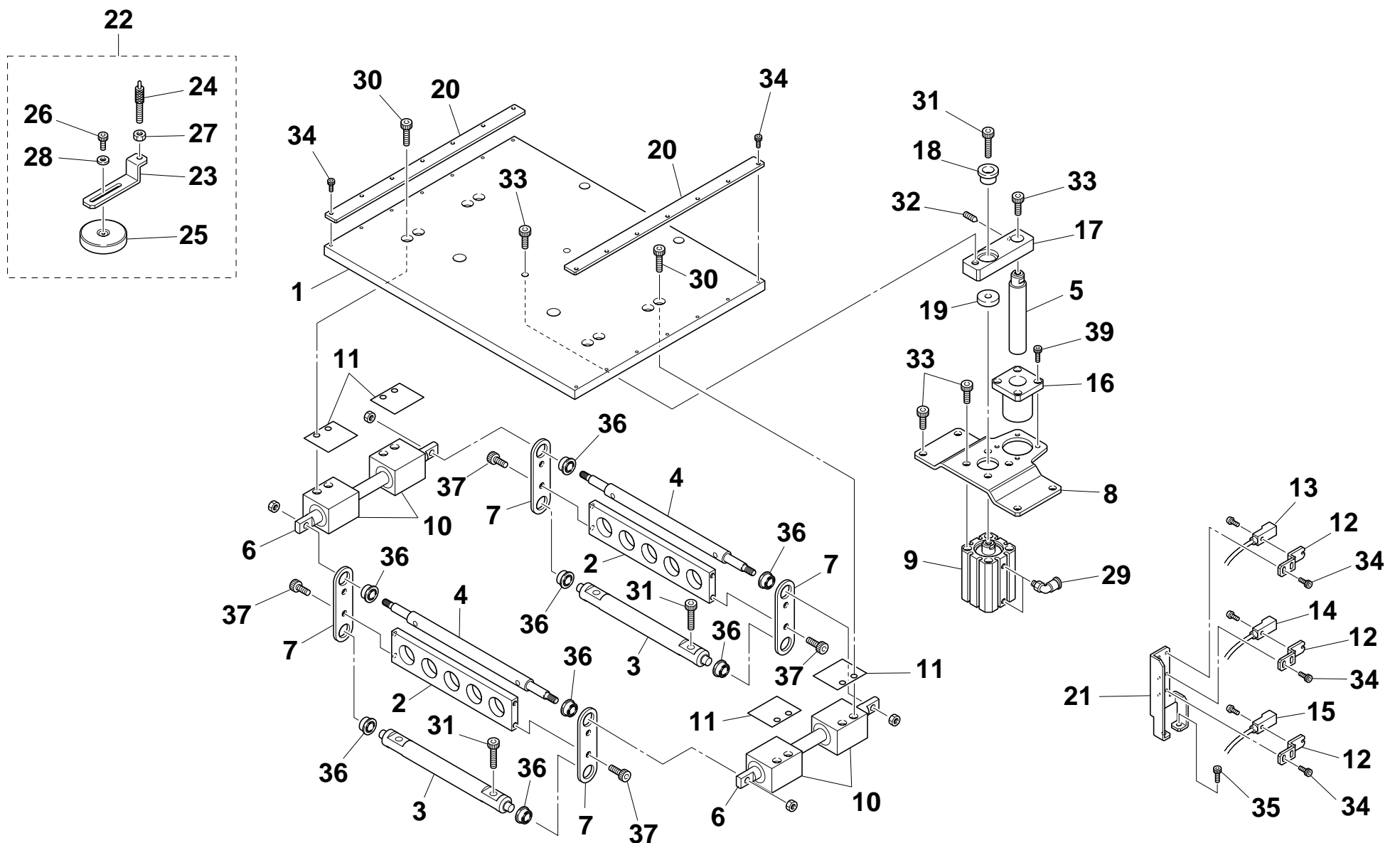


KGT-0403



No.	Part No.	Part Name	Q'ty	Remarks	Date	Revised No.
1	KGT-M9201-00X	PLATE, PUSHUP	1			
2	KGT-M9202-00X	BAR, JOINT	2			
3	KGT-M9203-00X	SHAFT, PIVOT	2			
4	KGT-M9204-00X	SHAFT, LINK	2			
5	KGT-M9205-00X	SHAFT, CYL.	1			
6	KGT-M9206-00X	ROD	2			
7	KGT-M9207-00X	LINK	4			
8	KGT-M9208-00X	BRACKET, CYL.	1			
9	KGT-M9209-00X	CYLINDER	1			
10	KGT-M920A-00X	LINEAR BUSH	4			
11	KGT-M920B-XXX	SHIM SEL.	1			
12	KGT-M920C-00X	BRACKET, SENSOR	3			
13	KGT-M920P-01X	SENSOR, PU UP	1	(R)		
13	KGT-M920T-01X	SENSOR, PU UP	1	(L)		
14	KGT-M920R-01X	SENSOR, PU MID	1	(R)		
14	KGT-M920U-01X	SENSOR, PU MID	1	(L)		
15	KGT-M920S-01X	SENSOR, PU DOWN	1	(R)		
15	KGT-M920V-01X	SENSOR, PU DOWN	1	(L)		
16	KGT-M920E-00X	LINEAR BUSH	1			
17	KGT-M920F-00X	HOLDER	1			
18	KGT-M920G-00X	FLOATING JOINT	1			
19	KGT-M920H-00X	WASHER	1			
20	KGT-M920J-00X	PLATE	2			
21	KGT-M920L-01X	BASE, SENSOR R	1	(R)		
21	KGT-M920M-01X	BASE, SENSOR L	1	(L)		
22	KGT-M920D-00X	PUSH UP PIN UNIT	6			
23	KG2-M9208-20X	BRACKET	1		2004.02	M420141
24	KG2-M9209-11X	SHAFT	1			
25	K98-M9213-10X	MAGNET	1			
26	91317-04005	BOLT HEX. SOCKET HEAD	1			
27	95307-05600	NUT HEXAGON	1			
28	92990-04200	WASHER PLAIN	1			
29	\$TL4-M5M	JOINT	2			
30	91317-05016	BOLT HEX. SOCKET HEAD	8			
31	91317-06018	BOLT HEX. SOCKET HEAD	5			
32	92A08-04306	SET SCREW M4X6	1			
33	91317-06010	BOLT HEX. SOCKET HEAD	10			
34	91317-03006	BOLT HEX. SOCKET HEAD	20			
35	91317-04012	BOLT HEX. SOCKET HEAD	6			
36	KGT-M920W-00X	BEARING	8			
37	91317-05010	BOLT HEX. SOCKET HEAD	8			