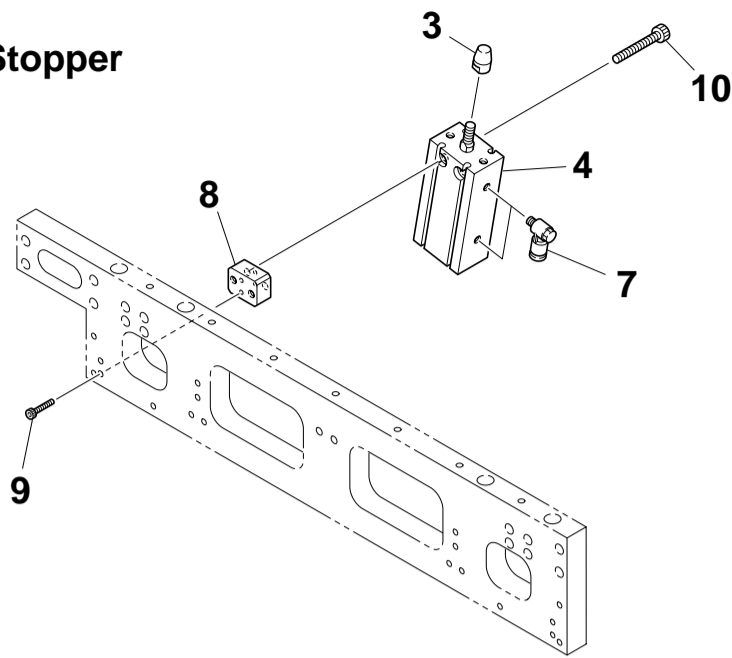
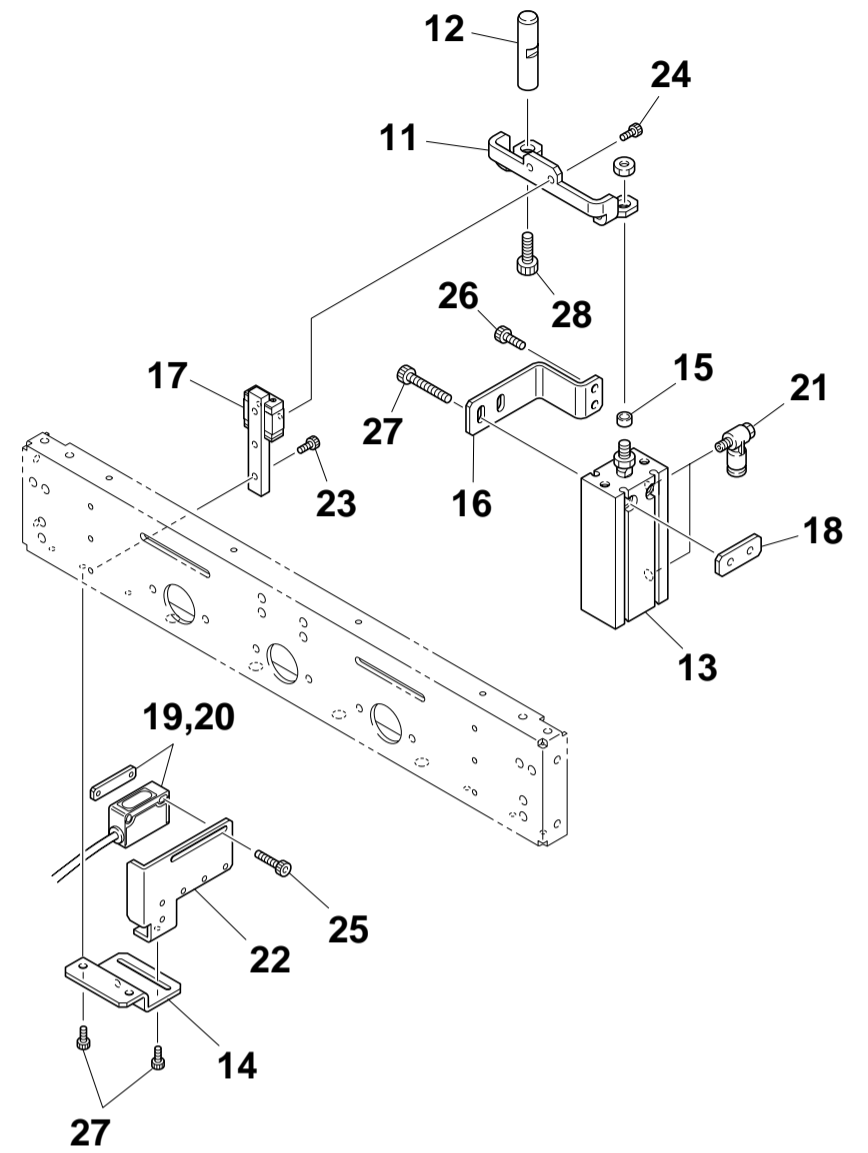


KGT-0502

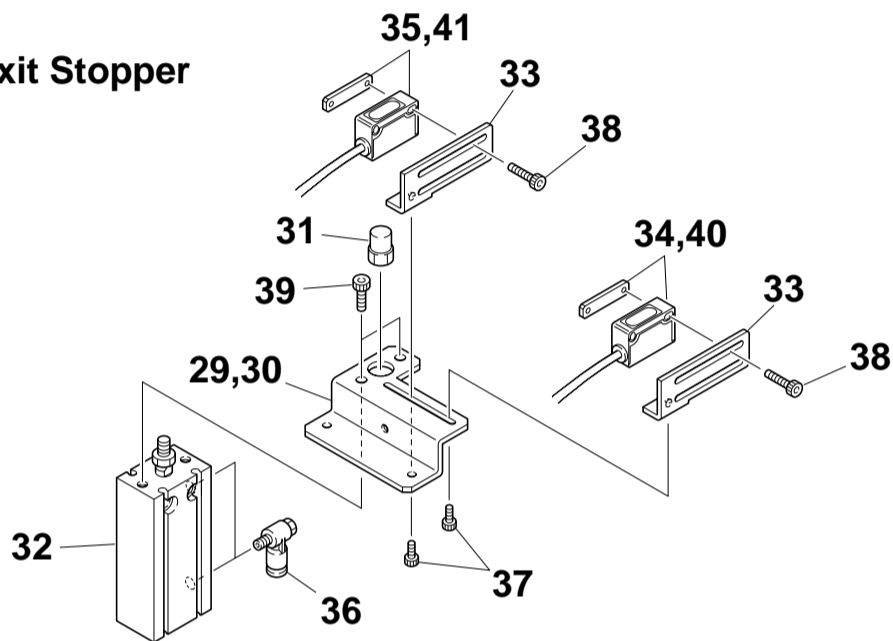
Main Stopper



Sub Stopper



Exit Stopper



No.	Part No.	Part Name	Q'ty	Remarks	Date	Revised No.
1						
2						
3	KGT-M9181-00X	STOPPER	1			
4	KGT-M9182-00X	CYLINDER	1			
4-1	KGT-M9182-01X	CYLINDER	1			M410131
5						
6						
7	SSL4-M5	JOINT	2			
7-1	STL4-M5M	JOINT	2			M410131
8	KGT-M9183-00X	BASE, CYLINDER	1			
8-1	KGT-M9183-01X	BASE, CYLINDER	1			M410131
9	91317-03025	BOLT HEX. SOCKET HEAD	2			
10	91317-05050	BOLT HEX. SOCKET HEAD	2			
11	KGT-M9281-00X	PLATE, SUB STOPPER	1			
12	KGT-M9282-00X	STOPPER, SUB	1			
13	KV7-M9283-00X	CYL., YMDA16X35	1			
14	KGT-M9284-00X	BRKT., SENSOR 3	1			
15	KV1-M9285-00X	SPACER, CYLINDER	1			
16	KGT-M9286-00X	BRKT., CYLINDER	1			
17	KV1-M9287-00X	GUIDE, SUB STOPPER	1			
18	KV1-M9288-00X	PLATE, NUT	1			
19	KGT-M928C-01X	SENSOR, POS (N00652)	1	R > L		
20	KGT-M928A-11X	SENSOR, POS (N006C1)	1	L > R		
21	SSL4-M5	JOINT	2			
22	KGT-M912A-00X	BRKT., SENSOR	1			
23	91317-03005	BOLT HEX. SOCKET HEAD	3			
24	91317-03006	BOLT HEX. SOCKET HEAD	4			
25	91317-03015	BOLT HEX. SOCKET HEAD	4			
26	91317-04008	BOLT HEX. SOCKET HEAD	2			
27	91317-04025	BOLT HEX. SOCKET HEAD	2			
28	91317-06010	BOLT HEX. SOCKET HEAD	1			
29	KGT-M9271-00X	PLATE, EXIT STOPPER	1	R > L		
30	KGT-M9271-10X	PLATE, EXIT STOPPER	1	L > R		
31	KV7-M9282-00X	STOPPER, SUB	1			
32	KV7-M9283-00X	CYL., YMDA16X35	1			
33	KGT-M912A-00X	BRACKET, SENSOR	2			
34	KGT-M928F-01X	SENSOR, SLOW (N00666)	1			
35	KGT-M928G-01X	SENSOR, POS(N00667)	1			
36	SSL4-M5	JOINT	2			
37	91317-03006	BOLT HEX. SOCKET HEAD	4			
38	91317-03015	BOLT HEX. SOCKET HEAD	4			
39	91317-04008	BOLT HEX. SOCKET HEAD	2			
40	KGT-M928B-01X	SENSOR, SOW(N00651)	1	L > R		
41	KGT-M928A-01X	SENSOR, ENT(N00650)	1	R > L		