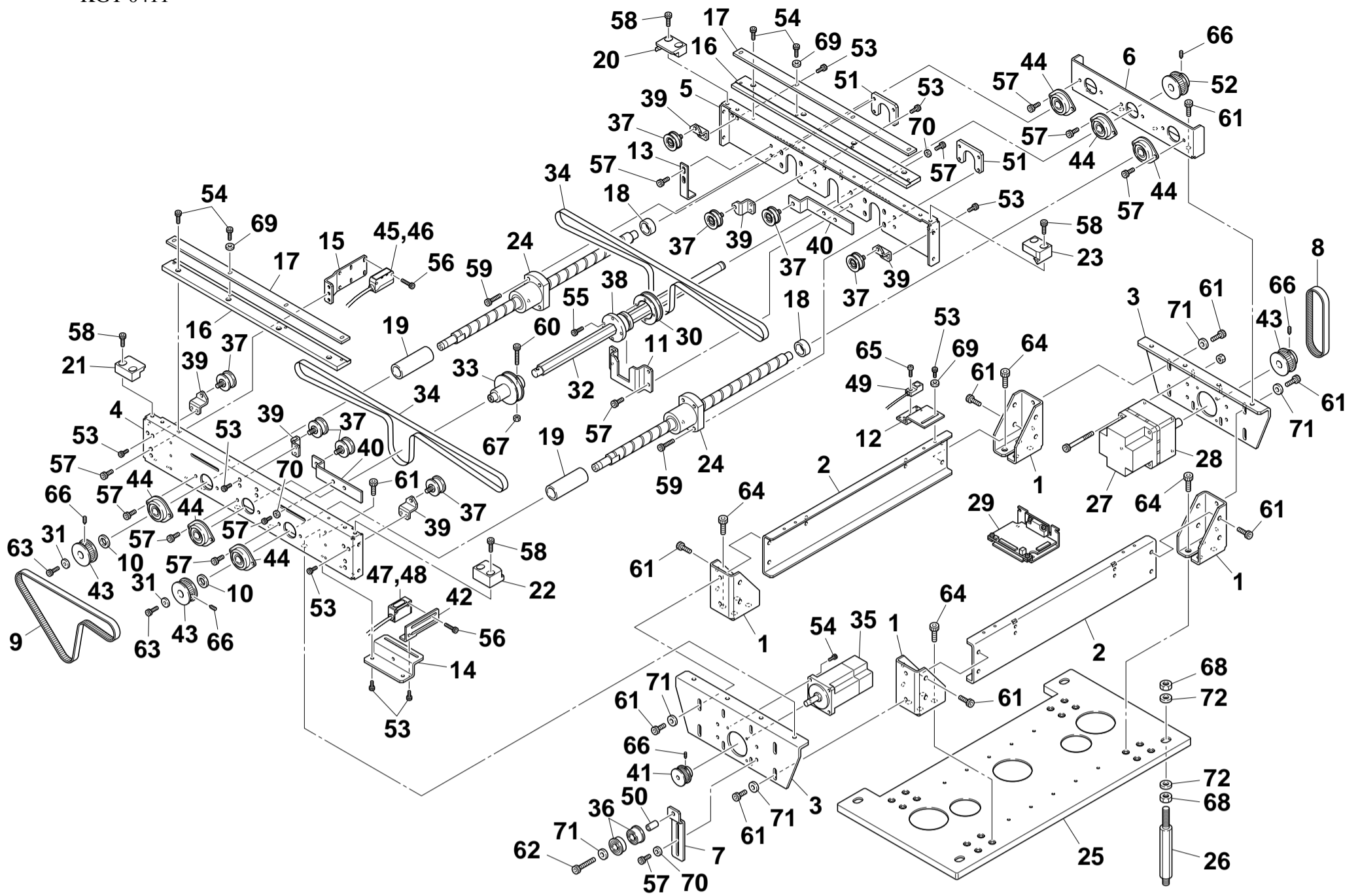


KGT-0411



No.	Part No.	Part Name	Q'ty	Remarks	Date	Revised No.
1	KGT-M9101-00X	STAND 1	8	R		
2	KGT-M9103-00X	FRAME 1	4	L		
3	KGT-M9104-00X	FRAME 2	4			
4	KGT-M9106-00X	PLATE 1, CONV.	2			
5	KGT-M9107-00X	PLATE 2, CONV.	2			
6	KGT-M9108-00X	PLATE 3, CONV.	2			
7	KGT-M9109-00X	PLATE, TENSION IDLER	2			
8	KGT-M910A-00X	BELT (231-3GT-9)	2			
9	KGT-M910B-00X	BELT (471-3GT-9)	2			
10	KV1-M9110-00X	COLLAR, BALL SCREW	4			
11	KGT-M9111-00X	BRKT., COLLAR	2			
12	KGT-M9112-00X	BRKT., SENSOR ORG	2			
13	KV1-M9113-00X	DOG, ORG CONV.	2			
14	KGT-M9114-00X	BRKT. 1, SENSOR	1			
15	KGT-M9115-02X	BRKT. 2, SENSOR	2			
16	KGT-M9116-00X	GUIDE 1	4			
17	KGT-M9117-00X	GUIDE 1-1	4			
18	KV1-M9118-01X	DAMPER 1, W	4			
19	KV1-M9119-00X	DAMPER 2, W	4			
20	KM7-M9113-01X	GUIDE 1, END	2			
21	KM7-M9114-01X	GUIDE 2, END	2			
22	KGA-M9113-00X	GUIDE 1, END	2			
23	KGA-M9114-00X	GUIDE 2, END	2			
24	KV1-M9126-00X	BALL SCREW F-CONV.	4			
25	KGT-M9127-00X	PLATE, BASE	2			
26	KGT-M9128-00X	HEX. POST	8			
27	KGK-M9171-00X	MOTOR	2			
28	KGK-M9172-00X	GEAR HEAD	2			
29	KGK-M9173-00X	DRIVER	2			
30	KGT-M9135-00X	PULLEY 1, SPLINE	2			
31	KV1-M9137-00X	WASHER, M4 13D 2T	4			
32	KGT-M913B-00X	SPLINE	2			
33	KGT-M913C-00X	PULLEY, MOTOR	2			
34	KGT-M913J-00X	BELT 1, CONVEYOR	4			
35	90K63-001606	AC SERVO MOTOR	2			
36	90933-03J608	BEARING	4			
37	KV1-M9140-A0X	PULLEY, CONV. ASSY	16			
38	KG2-M9108-11X	COLLAR, CONVEYOR	2			
39	KG2-M9120-01X	PLATE PULLEY CON	12			
40	KG2-M9121-00X	PLATE TENSION PULLEY	4			
41	KG7-M9113-01X	PULLEY 3	2			
42	KG7-M912A-00X	BRACKET, SENSOR	1			
43	KH2-M9105-11X	PULLEY, MOTOR: P30-3GT	6			
44	KH2-M9121-00X	BEARING	12			
45	KGT-M928D-01X	SENSOR, EDGE (N00653)	1	RIGHT Type		
46	KGT-M928E-01X	SENSOR, EDGE (N00665)	1	LEFT Type		
47	KGT-M928A-01X	SENSOR, ENT (N00650)	1			
48	KGT-M928G-01X	SENSOR, ENT (N00667)	1			
49	KGA-M260A-00X	SENSOR, ORG (L=300)	2			
50	KV7-M9149-00X	COLLER, BRG	2			
51	KV1-M910C-00X	NUT, PLATE	4			
52	KGT-M912D-00X	PULLEY	2			
53	91317-03006	BOLT HEX. SOCKET HEAD	31			
54	91317-03008	BOLT HEX. SOCKET HEAD	40			
55	91317-03010	BOLT HEX. SOCKET HEAD	8			
56	91317-03014	BOLT HEX. SOCKET HEAD	6			
57	91317-04006	BOLT HEX. SOCKET HEAD	52			
58	91317-04008	BOLT HEX. SOCKET HEAD	16			
59	91317-04014	BOLT HEX. SOCKET HEAD	16			
60	91317-04020	BOLT HEX. SOCKET HEAD	2			
61	91317-05008	BOLT HEX. SOCKET HEAD	48			
62	91317-05020	BOLT HEX. SOCKET HEAD	2			
63	91317-04010	BOLT HEX. SOCKET HEAD	4			
64	91317-06010	BOLT HEX. SOCKET HEAD	32			
65	98907-03008	SCREW BINDING HEAD	2			
66	92A08-04306	SET SCREW M4X6	20			
67	95307-04600	NUT HEXAGON	2			
68	95307-08600	NUT HEXAGON	16			
69	92907-03200	WASHER PLAIN	20			
70	92907-04200	WASHER PLAIN	12			
71	92907-05200	WASHER PLAIN	18			
72	92907-08200	WASHER PLAIN	16			