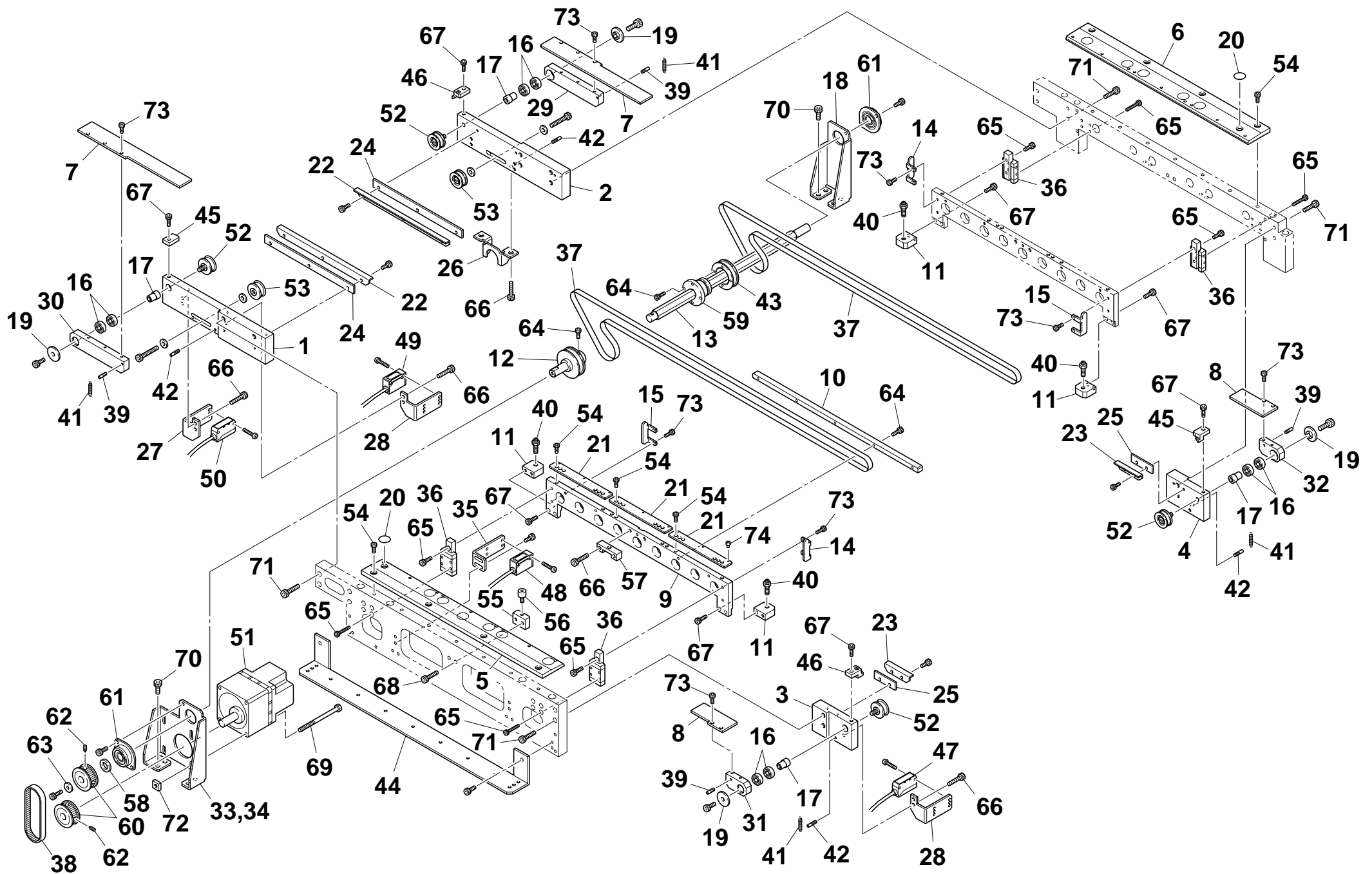


KGT-0503



No.	Part No.	Part Name	Q'ty	Remarks	Date	Revised No.
1	KGT-M9158-01X	FRAME F-L	1			
2	KGT-M9159-01X	FRAME R-L	1			
3	KGT-M915E-01X	FRAME F-R	1			
4	KGT-M915F-01X	FRAME R-R	1			
5	KGT-M915G-00X	GUIDE	1			
5-1	KGT-M915G-01X	GUIDE	1		2005.03.07	MB30028
6	KGT-M915G-11X	GUIDE	1			
6-1	KGT-M915G-13X	GUIDE	1		2005.03.07	MB30028
7	KGT-M9152-00X	GUIDE, PCB	2			
8	KGT-M9153-00X	GUIDE, PCB	2			
9	KGT-M915K-01X	PLATE	1			
10	KGT-M915L-01X	KEY	1			
11	KGT-M915T-01X	HOLDER, PIN	4			
12	KGT-M915U-00X	PULLEY, DRIVE F	1			
13	KV7-M9143-10X	SPLINE 1(250)	1			
14	KGT-M9162-L1X	PLATE L, PUSHUP	2			
15	KGT-M9162-R1X	PLATE R, PUSHUP	2			
16	90933-02J148	BEARING	8			
17	KGT-M9165-01X	HOLDER, PULLEY	4			
18	KGT-M917J-00X	BRACKET R, BEARING	1			
19	KGT-M9166-00X	WASHER	4			
20	KGT-M917W-00X	LABEL	1			
20-1	KGT-M917W-10X	SHEET	1		2005.03.07	MB30028
21	KGT-M9168-00X	GUIDE, PCB	3			
21-1	KGT-M922B-01X	GUIDE, PCB	3		2005.03.07	MB30028
22	KGT-M9169-00X	STAY, BELT	2			
23	KGT-M916A-00X	STAY, BELT	2			
24	KGT-M916B-00X	SPACER, STAY	2			
25	KGT-M916C-00X	SPACER, STAY	2			
26	KGT-M916E-01X	HOLDER, PULLEY	1			
27	KGT-M916F-02X	BRACKET, SENSOR	1			
28	KGT-M916G-02X	BRACKET, SENSOR	2			
29	KGT-M916J-01X	PLATE, GUIDE	1			
30	KGT-M916K-01X	PLATE, GUIDE	1			
31	KGT-M916L-01X	PLATE, GUIDE	1			
32	KGT-M916M-01X	PLATE, GUIDE	1			
33	KGT-M916N-R0X	BRACKT R, MOTOR	1			
34	KGT-M916N-L0X	BRACKT L, MOTOR	1			
35	KGT-M916P-01X	BRACKET, SENSOR	1			
36	KGT-M916S-00X	LINEAR GUIDE	2			
37	KGT-M916T-00X	BELT(1330)	2			
38	KGT-M916U-00X	BELT(201-3GT-9)	1			
39	KGT-M917B-00X	HOOK 1	4			
40	KGT-M9171-00X	SCREW, STOPPER	4			
41	KGT-M9173-00X	SPRING	4			
42	KGT-M917D-00X	HOOK 2	4			
43	KGT-M9135-00X	PULLEY 1, SPLINE	1			
44	KGT-M9178-00X	DUCT	1			
45	KGT-M9179-00X	GUIDE	2			
46	KGT-M917A-00X	GUIDE	2			
47	KGT-M917M-01X	SENSOR, EDGE1(N00654)	1			
48	KGT-M917N-01X	SENSOR, POS. (N00656)	1			
49	KGT-M917P-01X	SENSOR, MID. (N006C0)	1			
50	KGT-M917R-01X	SENSOR, EDGE2(N00657)	1			
51	KGK-M9170-00X	DC MOTOR ASSY.	1			
52	KV1-M9140-A00	PULLEY, CONV. ASSY	4			
53	KV7-M9140-A00	PULLEY, CONV. ASSY	2			
54	KGT-M917C-00X	LOW HEAD CAP SCREW	20			
55	KGT-M917E-00X	BLOCK	1			
56	KGT-M917F-00X	STOPPER	1			
57	KGT-M917G-00X	STOPPER	1			
58	KG7-M9110-01X	COLLAR, W	1			
59	KG2-M9108-11X	COLLAR, CONVEYOR	1			
60	KH2-M9105-11X	PULLEY,MOTOR:P30-3GT	2			
61	KH2-M9121-00X	BEARING	4			
62	92A08-04306	SET SCREW M4X6	12			
63	KV1-M9137-00X	WASHER,M4 13D 2T	1			
64	91317-03010	BOLT HEX. SOCKET HEAD	4			
65	91317-03016	BOLT HEX. SOCKET HEAD	16			
66	91317-04010	BOLT HEX. SOCKET HEAD	4			
67	91317-04012	BOLT HEX. SOCKET HEAD	16			
68	91317-04020	BOLT HEX. SOCKET HEAD	2			
69	91317-04050	BOLT HEX. SOCKET HEAD	4			
70	91317-05008	BOLT HEX. SOCKET HEAD	8			
71	91317-06025	BOLT HEX. SOCKET HEAD	12			
72	KGT-M9193-00X	NUT PLATE	4			
73	91317-03006	BOLT HEX. SOCKET HEAD	22			
74	KGT-M9116W-00X	PIN	9		2005.03.07	MB30028