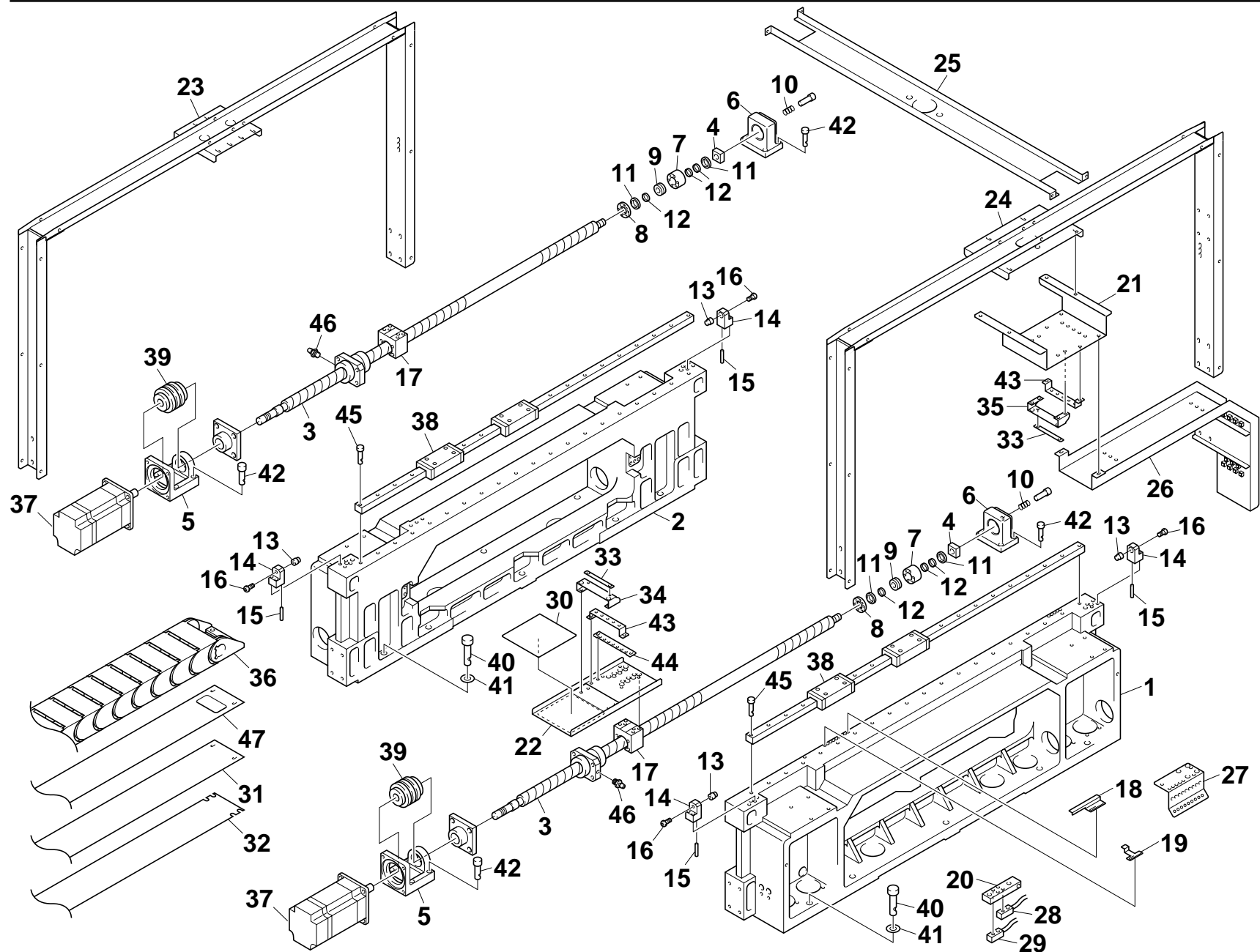


KV8-9907



No.	Part No.	Part Name	Q'ty	Remarks	Date	Revised No.
1	KV7-M2611-01X	FRAME R,Y AXIS	1			
2	KV7-M2612-01X	FRAME L,Y AXIS	1			
3	KV7-M2671-00X	SCREW BALL	2			
3-1	KV7-M2671-01X	SCREW BALL Y AXIS		Y1	2000/03/03	M9X0010
4	KG2-M9173-00X	LOCK NUT	2			
5	KV7-M2641-00X	HOLDER,MOTOR Y AXIS	2			
6	KV7-M2642-01X	HOLDER,BRG.Y	2			
7	KV7-M2243-00X	HOUSING,BRG. X	2			
8	KV7-M2244-00X	COVER,BRB. HOUSING	2			
9	KV7-M2645-00X	BRG.,ANGULAR	2			
10	KV7-M2646-00X	COIL SPRING M	12			
11	KV7-M2647-00X	OIL SEAL	4			
12	KV7-M2648-00X	SPACER	6			
13	KV7-M2651-00X	DAMPER,STOPPER	4			
14	KV7-M2652-00X	BRACKET,STOPPER	4			
15	KV7-M2653-00X	PIN,PARALLEL	4			
16	97704-40012	SRW,TRUSS	4			
17	KV7-M2666-01X	HOLDER NUT Y AXIS	2			
18	KV7-M2682-01X	DOG ORG	1			
19	KV7-M2683-01X	DOG 2ND LIMIT	2			
20	KV7-M2691-01X	BRACKET,SENSOR	2			
21	KV7-M2694-00X	BRACKET A,GUIDE	1			
22	KV7-M2695-01X	BRACKET B GUIDE	1			
23	KV7-M26F1-00X	FRAME 1	1			
24	KV7-M26F2-00X	FRAME 2	1			
25	KV7-M26F3-00X	FRAME 3	1			
26	KV7-M26F4-00X	DUCT,HARNES	1			
27	KV7-M26F5-01X	BRACKET,HARNES	1			
28	KV7-M653A-20X	SENSOR,1 ASSY	1	L=300		
29	KV7-M653E-10X	SENSOR,2 ASSY	1	L=300		
30	KV7-M260A-00X	TAPE, Y AXIS	1			
31	KV7-M260B-00X	TAPE, Y DUCT	1			
32	KV7-M260C-00X	TAPE 2, Y DUCT	1			
33	KV7-M2667-00X	PLATE	2			
34	KV7-M2668-00X	BRACKET 1, TAPE Y	1			
35	KV7-M2669-00X	BRACKET 2, TAPE Y	1			
36	KV7-M2678-00X	GUIDE,CABLE Y	1			
37	90K52-8A174Y	AC SERVO MOTOR	2			
37-1	90K55-8A174Y	AC SERVO MOTOR		X1		M080110
38	KV7-M2676-S1X	Y-AXIS GUIDE SET	1			
39	KM5-M2611-00X	COUPLING,Y-AXIS	2	LCD		
40	KV7-M2661-00X	NYLOCK BOLT	20	M12X50		
41	92907-12600	WASHER PLAIN	20			
41-1	90201-124G9	WASHER,PLAIN	20	X1	1999/09/29	M990079
42	KV7-M2662-01X	NYLOCK BOLT	16	M6X30		
43	KV7-M2698-00X	PLATE 1,CLAMP	2			
44	KV7-M2699-00X	PLATE 2,CLAMP	1			
45	KV7-M2663-00X	NYLOCK BOLT	40	M5X16		
46	KM8-M2647-00X	GREASE NIPPLE	2			
47	KM7-M260D-00X	TAPE 3,Y DUCT	1			