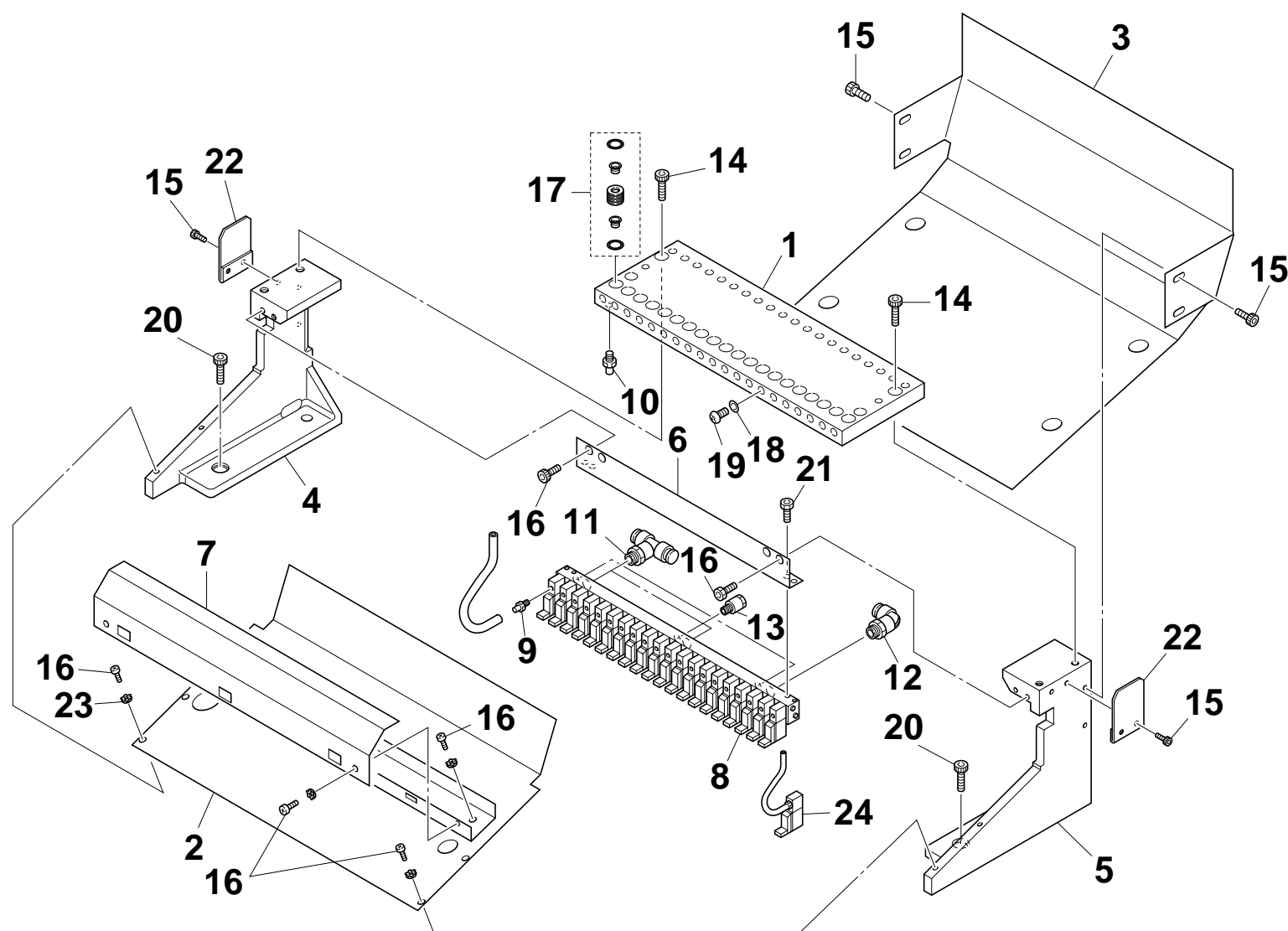


KGB-0410



No.	Part No.	Part Name	Q'ty	Remarks	Date	Revised No.
1	KM9-M3401-H0X	PLATE H.FEEDER	1			
2	KM9-M3402-H0X	GUIDE H-1.TAPE	1			
3	KM9-M3403-H0X	GUIDE H-2.TAPE	1			
4	KM0-M3405-01X	STAND.1	1			
5	KM0-M3406-01X	STAND.2	1			
6	KM9-M3408-H0X	BRACKET H.VALVE	1			
7	KM9-M3409-H0X	COVER H.VALVE	1			
8	KGA-M3410-XXX	VALVE ASSY. 20	1			
9	BF4BU-M3-70W	JOINT	20			
10	BF4BU	JOINT	20			
11	TT8-01	JOINT	1			
12	TL8-01	JOINT	1			
13	KM-06	MAFFLER	3			
14	91317-06020	BOLT.HEX SOCKET	4			
15	91317-04010	BOLT.HEX SOCKET	8			
16	98903-04008	SCREW.BINDING HEAD	10			
17	KG2-M3407-A0X	AIR JOINT	20			
18	KM0-M3416-00X	GASKET	20			
19	98907-03004	SCREW.BINDING HEAD	20			
20	91317-08020	BOLT.HEX SOCKET HEAD	2			
21	91317-03006	BOLT.HEX SOCKET HEAD	4			
22	KM0-M3417-00X	GUIDE4	2			
23	92990-04400	WASHER EXTL. TOOHED	10			
24	KGA-M37P0-00X	VALVE KIT	1	SPARE S.T.D	2002.12	M2Y0001
	KGB-M37P1-00X	VALVE	1	SPARE FOR FES 20		