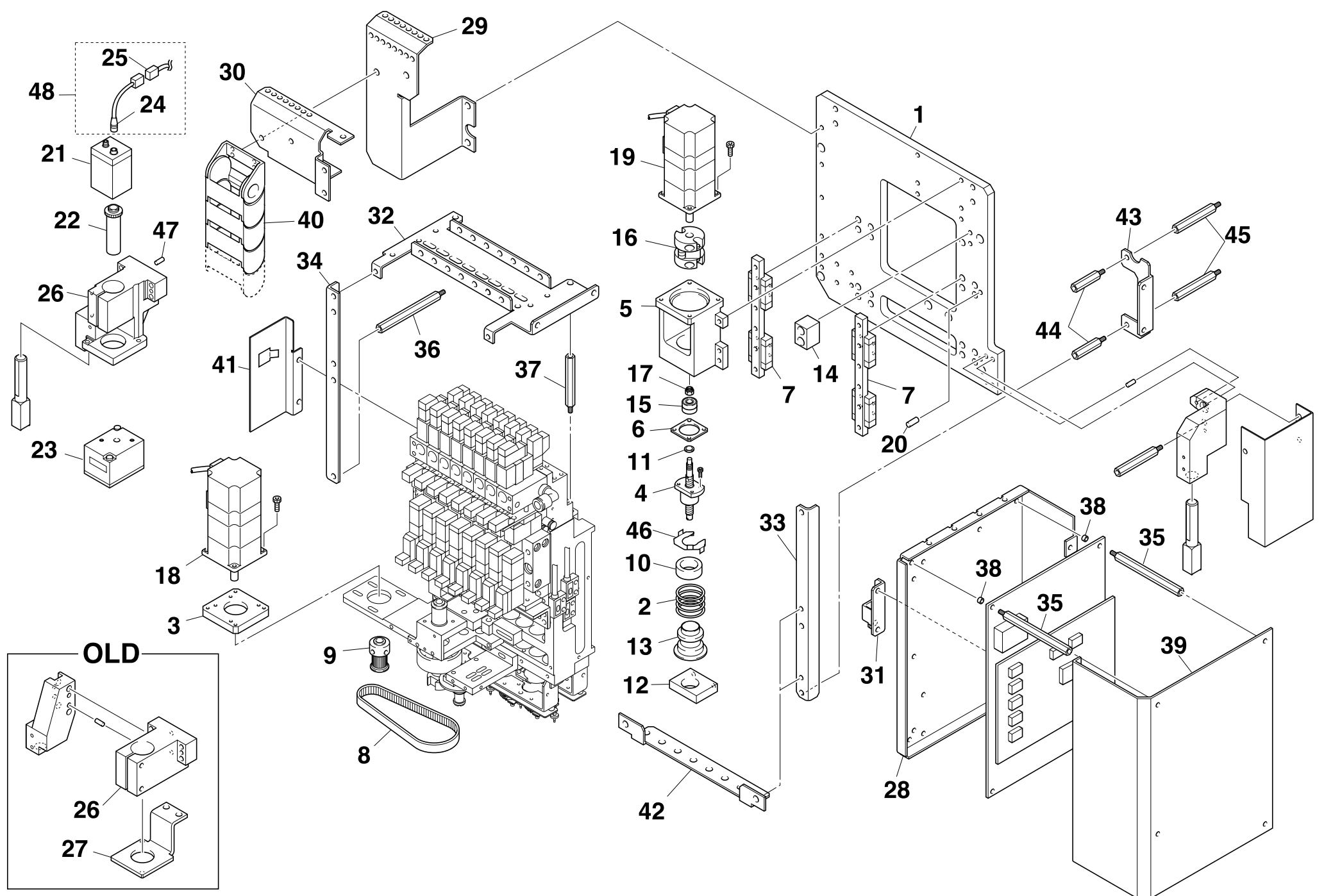


KGB-0507



No.	Part No.	Part Name	Q'ty	Remarks	Date	Revised No.
1	KGB-M7102-00X	PLATE HEAD	1			
2	KV8-M7118-00X	SPG. MAIN	1			
3	KV8-M7125-00X	FLANGE MOTOR	1			
4	KV8-M7128-00X	BALL SCREW Z	1			
4-1	KV8-M7128-A0X	BALL SCREW Z ASSY.	1	W / No.46	2004.01	M3Y0102
5	KV8-M7129-01X	HOLDER 1 BEARING	1			
5-1	KGT-M7129-00X	HOLDER 1 BEARING	1		2004.01	M410128
6	KV8-M7130-00X	PLATE BEARING	1			
7	KV8-M7136-00X	GUIDE, Z AXIS	1			
8	KGB-M7137-00X	BELT R, MOTOR	1			
9	KGB-M7139-00X	PULLEY, MOTOR	1			
10	KV8-M7145-00X	DAMPER, Z SCREW	1			
11	KV8-M71V6-00X	WASHER	1			
12	KV8-M71Y7-00X	HOLDER, BLOCK Z	1			
13	KV8-M71Y8-00X	BRACKET, SPRING	1			
14	KJ2-M7151-01X	DUMPER, Z GUIDE	1			
15	KG2-M7141-00X	BEARING	1	7000ADF		
16	KU4-M7120-00X	COUPLING	1			
17	KG2-M9173-00X	LOCK NUT	1			
18	90K55-4W073R	AC SERVO MOTOR	1			
19	90K55-4W074Z	AC SERVO MOTOR	1			
20	99480-04012	PIN PARALLEL	8	4X12		
21	KGA-M7210-01X	CCD CAMERA	1			
22	KV7-M7211-00X	LENS 095	1			
23	KV7-M7600-00X	FIDUCIAL LIGHT ASSY.	1			
24	KGA-M66F4-00X	C.CABLE ASSY	1	1.7M		
25	KGA-M66F2-00X	C.CABLE ASSY	1	6M		
26	KV8-M7133-00X	HOLDER CAMERA	1			
26-1	KGB-M7133-00X	HOLDER MULTI MACS	1		2002.07.11	M270025
27	KV8-M7135-00X	STAY, FID. LIGHT	1			
27-1				Delete	2002.07.11	M270025
28	KV8-M71W1-00X	PLATE, I/O BOARD	1			
29	KV8-M71W2-01X	STAY 1, CABLE	1			
30	KGB-M71W3-00X	STAY 2, CABLE	1			
31	KV8-M71W5-00X	STAY 2, I/O BOARD	1			
32	KGB-M71W7-00X	BRACKET TOP	1			
33	KGB-M71W8-00X	BRACKET R	1			
34	KV8-M71W9-00X	BRACKET L	1			
35	KV8-M71WC-00X	BOLT SPACER	4	M4-50MM		
36	KV8-M71WF-00X	BOLT SPACER	2	M4-75MM		
37	KV8-M71WG-00X	BOLT SPACER	2	M4-70MM		
38	90562-03J100	SPACER	4	M3X10		
39	KGB-M71WJ-00X	COVER, I/O BOARD	1			
40	KV8-M71WK-00X	GUIDE CABLE	1			
41	KGB-M71WL-00X	COVER, HARNESS	1			
42	KV8-M71WA-00X	BRACKET, HNS	2			
43	KGB-M71WR-00X	BRACKET, I/O PLATE	1			
44	KGB-M71WS-00X	BOLT SPACER	2	M4-30		
45	KGB-M71WT-00X	BOLT SPACER	2	M4-43		
46	KV8-M71YC-00X	HOLDER, Z SPRING	1			
47	99480-04010	PIN PARALLEL	8	4X10	2004.01.23	M410108
48	KGA-M60F6-00X	C.CABLE ASSY	1	7,7	2001.05.07	M140176