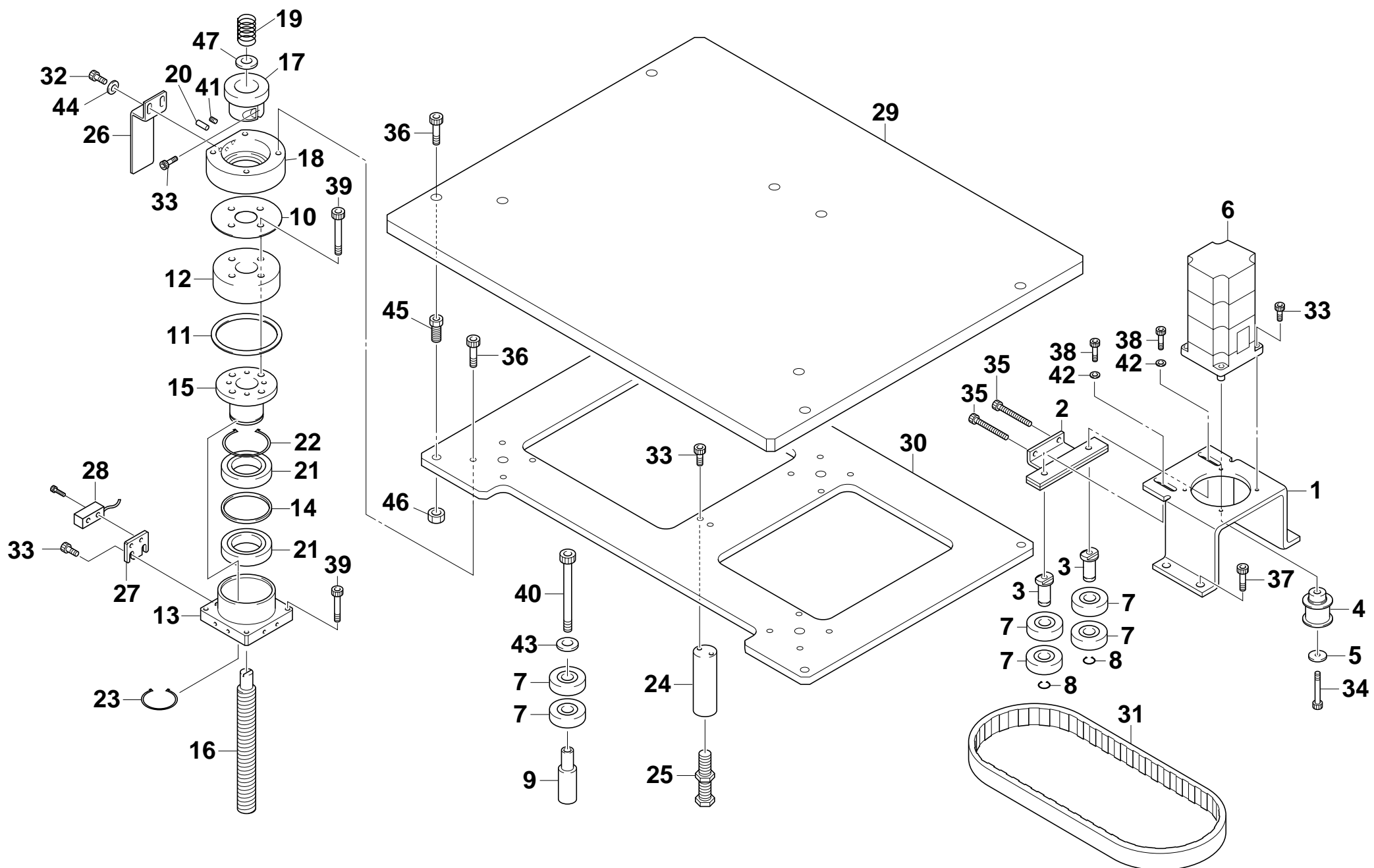


KGB-0506



No.	Part No.	Part Name	Q'ty	Remarks	Date	Revised No.
1	KV7-M9201-00X	BRACKET, MOTOR	1			
2	KV7-M9202-00X	STAY, ADJUST	1			
3	KV7-M9203-00X	SHAFT 1	2			
4	KV7-M9205-01X	PULLEY 1	1	P22-3GT		
5	KV7-M9206-00X	WASHER	1			
6	90K55-523D5U	AC SERVO MOTOR	1			
7	90933-01J200	BEARING	6	6200ZZ		
8	99009-10400	CIRCLIP	2			
9	KV7-M9204-00X	SHAFT 2	1			
10	KV7-M9207-00X	FLANGE 1	1			
11	KV7-M9208-00X	FLANGE 2	1			
12	KV7-M9209-01X	PULLEY 2	1			
13	KV7-M9211-00X	HOUSING	1			
14	KV7-M9212-00X	COLLAR 2	1			
15	KV7-M9213-00X	NUT	1			
16	KV7-M9214-00X	SCREW	1			
17	KV7-M9215-00X	JOINT	1			
18	KV7-M9217-00X	FLANGE	1			
19	KV7-M9218-00X	SPRING	1			
20	KV7-M921C-00X	ROLLER	1			
21	90933-01J905	BEARING 3	2	6905ZZ		
22	99009-42500	CIRCLIP	1			
23	99009-25400	CIRCLIP	1			
24	KV7-M9219-00X	STOPPER	1			
25	KV7-M921B-00X	BOLT, STOPPER	1			
26	KV7-M920D-00X	DOG	1			
27	KV7-M920E-00X	BRACKET	1			
28	KV7-M653A-00X	SENSOR, 1 ASSY	1	L=600		
28-1	KGA-M921G-00X	SENSOR, ORG	1		2002.02.28	M220126
29	KGA-M920A-01X	PLATE 440	1	W440		
	KGA-M920A-11X	PLATE 382	1	W382		
	KGA-M920A-21X	PLATE 335	1	W335		
	KGA-M920A-32X	PLATE 250	1	W250		
30	KGA-M920C-00X	STAY	1	W440,W382		
	KGA-M920C-20X	STAY	1	W335		
	KGA-M920C-31X	STAY	1	W250		
31	KV7-M921A-01X	BELT	1	W440,W382,W335		
	KV7-M921A-31X	BELT	1	W250		
32	91317-04008	BOLT HEX. S_CKET HEAD	2			
33	91317-04010	BOLT HEX. S_CKET HEAD	10			
34	91317-04012	BOLT HEX. S_CKET HEAD	1			
35	91317-04020	BOLT HEX. S_CKET HEAD	2			
36	91317-05012	BOLT HEX. S_CKET HEAD	8			
37	91317-05014	BOLT HEX. S_CKET HEAD	4			
38	91317-05016	BOLT HEX. S_CKET HEAD	2			
39	91317-05020	BOLT HEX. S_CKET HEAD	8			
40	91317-06060	BOLT HEX. S_CKET HEAD	1			
41	92A08-03006	SET SCREW	1	M3X6		
42	92907-04200	WASHER PLAIN	2			
43	92907-06200	WASHER PLAIN	1			
44	92990-04200	WASHER PLAIN	1			
45	KGA-M921T-00X	BOLT	4			
46	95604-10100	NUT U	4			
47	92907-10600	WASHER PLAIN	1	M10		M3X0039