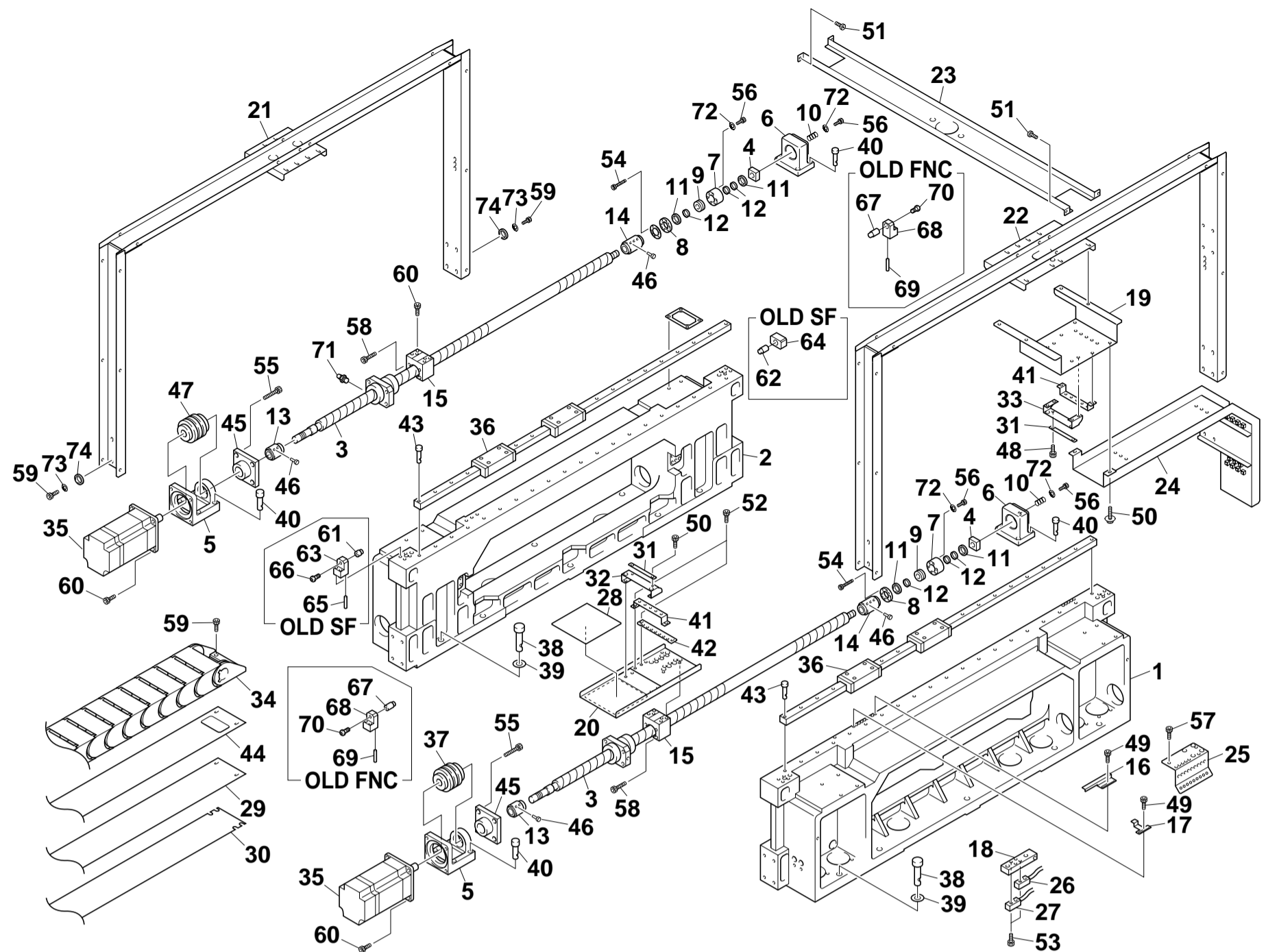


KV7-0509



No.	Part No.	Part Name	Q'ty	Remarks	Date	Revised No.	Compatibility
1	KV7-M2611-01X	FRAME R. Y AXIS	1				
1-1	KV7-M2611-02X	FRAME R. Y AXIS	1		2003.02.17	M320070	OK
2	KV7-M2612-01X	FRAME L. Y AXIS	1				
3	KV7-M2671-00X	SCREW BALL	2				
3-1	KV7-M2671-01X	SCREW BALL Y AXIS	2		1999.11.03	M9X0010	SET
3-2	KV7-M2671-02X	SCREW BALL Y AXIS	2		2001.06.28	M160183	OK
3-3	KV7-M2671-03X	SCREW BALL Y AXIS	2		2002.06.06	M250068	NG
4	KG2-M9173-00X	LOCK NUT	2				
5	KV7-M2641-00X	HOLDER MOTOR Y AXIS	2				
6	KV7-M2642-01X	HOLDER BRG. Y	2				
7	KV7-M2243-00X	HOUSING BRG. X	2				
8	KV7-M2244-00X	COVER BRB. HOUSING	2				
9	KV7-M2645-00X	BRG. ANGULAR	2				
10	KV7-M2646-00X	COIL SPRING M	12				
11	KV7-M2647-00X	OIL SEAL	4				
12	KV7-M2648-00X	SPACER	6				
13	KGA-M2651-41X	DAMPER 24 ASSY	2		2002.09.13	M290054	NG
14	KGA-M2651-31X	DAMPER 16 ASSY	2		2002.09.13	M290054	NG
15	KV7-M2666-01X	HOLDER NUT Y AXIS	2				
16	KV7-M2682-01X	DOG ORG	1				
17	KV7-M2683-01X	DOG 2ND LIMIT	2				
18	KV7-M2691-01X	BRACKET SENSOR	2				
18-1	KV7-M2691-02X	BRACKET SENSOR	2		2004.09.01	MA90006	
19	KV7-M2694-00X	BRACKET A GUIDE	1				
20	KV7-M2695-01X	BRACKET B GUIDE	1				
21	KGA-M26F1-00X	FRAME 1	1				
22	KGA-M26F2-00X	FRAME 2	1				
23	KV7-M26F3-00X	FRAME 3	1				
24	KV7-M26F4-00X	DUCT HARNESS	1				
25	KV7-M26F5-01X	BRACKET HARNESS	1				
26	KV7-M653A-20X	SENSOR 1 ASSY	1	L=300			
26-1	KGA-M260A-00X	SENSOR ORG	1	SQ01	2002.11.12	M2X0034	OK
27	KV7-M653E-10X	SENSOR 2 ASSY	1	L=300			
27-1	KGA-M260B-00X	SENSOR OT	1	SQ05	2002.11.12	M2X0034	OK
28	KV7-M260A-00X	TAPE. Y AXIS	1				
29	KV7-M260B-00X	TAPE. Y DUCT	1				
30	KV7-M260C-00X	TAPE 2. Y DUCT	1				
31	KV7-M2667-00X	PLATE	2				
32	KV7-M2668-00X	BRACKET 1. TAPE Y	1				
33	KV7-M2669-00X	BRACKET 2. TAPE Y	1				
34	KV7-M2678-00X	GUIDE.CABLE Y	1				
35	90K52-8A174Y	AC SERVO MOTOR	2				
35-1	90K56-8A174Y	AC SERVO MOTOR	2	M02,M11; Y1,Y2	2000.08.28	M080110	OK
36	KV7-M2676-S1X	Y-AXIS GUIDE SET	1				
36-1	KV7-M2676-S2X	Y-AXIS GUIDE SET	1		2002.06.06	M250068	NG
37	KM5-M2611-00X	COUPLING. Y-AXIS	1	LCD			
38	KV7-M2661-00X	NYLOCK BOLT	20	M12X50			
39	92907-12600	WASHER PLAIN	20				
39-1	90201-124G9	WASHER PLAIN	20		1999.09.28	M990079	OK
40	KV7-M2662-01X	NYLOCK BOLT	16	M6X30			
41	KV7-M2698-00X	PLATE 1. CLAMP	2				
42	KV7-M2699-00X	PLATE 2. CLAMP	1				
43	KV7-M2663-00X	NYLOCK BOLT	40	M5X16			
44	KM7-M260D-00X	TAPE 3. Y DUCT	1				
45	KV7-M2604-00X	SUPPORT UNIT	2				
46	KGA-M2649-00X	NYLOCK BOLT	24	M2.6X10			
47	KV8-M2611-00X	COUPLING. Y-AXIS	1	LCD			
47-1	KH5-M2611-00X	COUPLING. Y-AXIS	1		2003.02.11	M320042	OK
48	98903-03004	SCREW BINDING HEAD	4				
49	98903-04006	SCREW BINDING HEAD	6				
50	90159-04J01	SCREW, W/WASHER	6				
50-1	90990-12J001	SCREW BIN.HEAD W/W	6		2002.09.11	M290029	OK
51	98903-05010	SCREW BINDING HEAD	4				
52	91314-04008	BOLT HEX. SOCKET HEAD	10				
53	91317-04008	BOLT HEX. SOCKET HEAD	2				
54	91314-04010	BOLT HEX. SOCKET HEAD	12				
55	91317-04014	BOLT HEX. SOCKET HEAD	8				
56	91317-04030	BOLT HEX. SOCKET HEAD	12				
57	91317-05010	BOLT HEX. SOCKET HEAD	2				
58	91317-05018	BOLT HEX. SOCKET HEAD	8				
59	91314-06010	BOLT HEX. SOCKET HEAD	28				
60	91317-06018	BOLT HEX. SOCKET HEAD	16				
61	KV7-M2651-000	DAMPER.STOPPER	2	SF head			
62	KV7-M2651-100	DAMPER.STOPPER	2	SF head			
63	KV7-M2652-000	BRACKET.STOPPER Y	2	SF head			
64	KV7-M2652-100	BRACKET.STOPPER Y	2	SF head			
65	KV7-M2653-000	PIN,PARALLEL	2	SF head			
66	97704-40012	SRW TRUSS HEAD TAP'G	4	SF head			
67	KV7-M2651-100	DAMPER.STOPPER	4	FNC head			
68	KV7-M2652-000	BRACKET.STOPPER Y	4	FNC head			
69	KV7-M2653-000	PIN,PARALLEL	4	FNC head			
70	97704-40012	SRW TRUSS HEAD TAP'G	4	FNC head			
61~70				Delete	2002.09.13	M290054	
71	KM8-M2647-000	GREASE NIPPLE	2				
71-1				Delete	2001.06.28	M160183	
72	92907-04200	WASHER PLAIN	12				
73	92903-06200	WASHER PLAIN	20				
74	92990-06400	WASHER EXTL.TOOTHED	20				