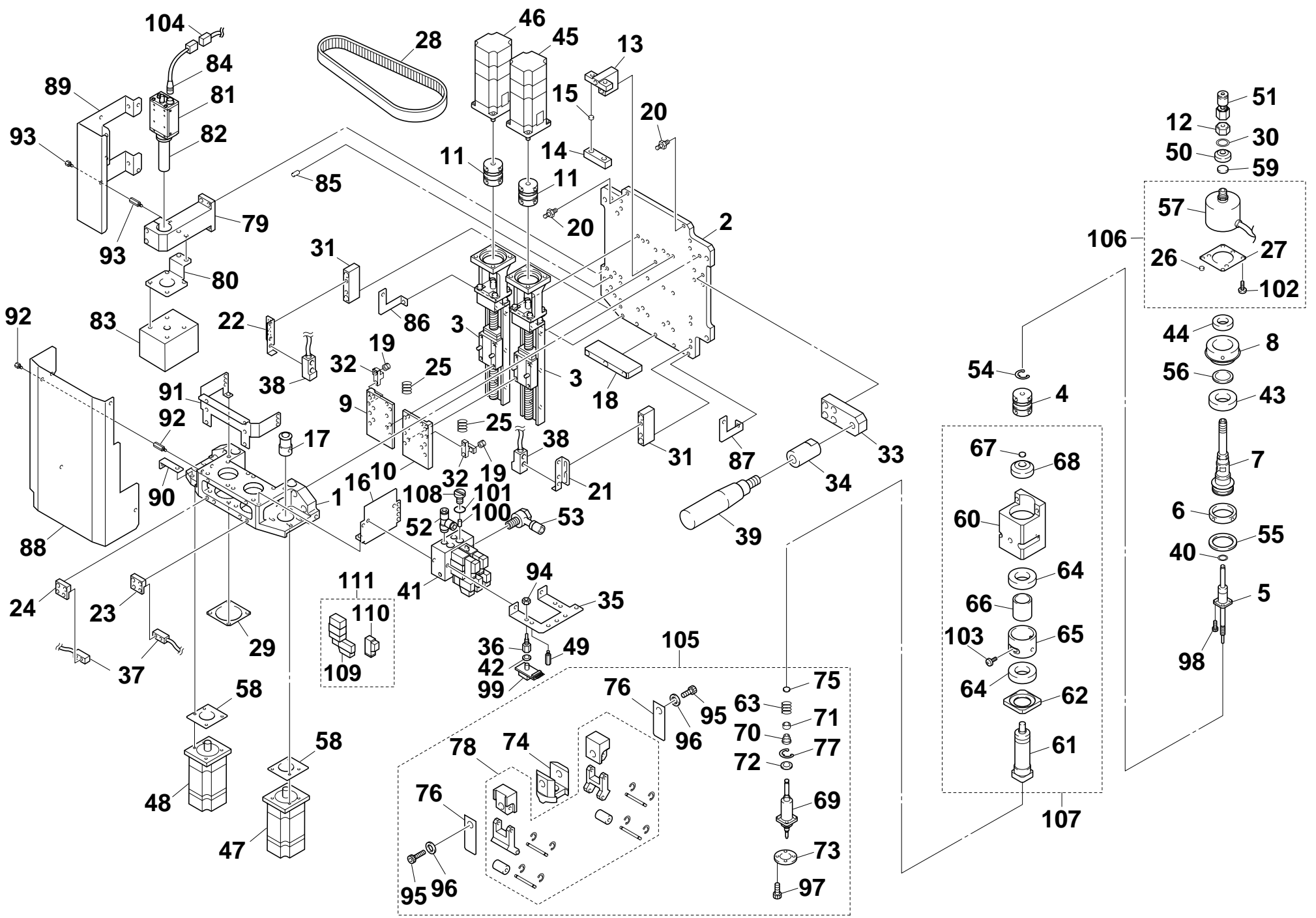


KV7-0507



No.	Part No.	Part Name	Q'ty	Remarks	Date	Revised No.
1	KV7-M8101-00X	BLOCK,HEAD	1			
2	KV7-M8102-00X	PLATE,HEAD	1			
3	KV7-M8103-00X	Z AXIS ASSY.	2	NSK		
4	KV7-M8113-00X	COUPLING,SHAFT	2			
5	KV7-M8114-00X	SHAFT,R AXIS	2			
6	KV7-M8115-00X	DOG,R AXIS	2			
7	KV7-M8116-00X	SHAFT,ENCODER	2			
8	KV7-M8117-00X	PULLEY,SHAFT HEAD	2			
9	KV7-M8121-00X	PLATE L,HEAD FIX	1			
10	KV7-M8122-00X	PLATE R,HEAD FIX	1			
11	KV7-M8123-00X	COUPLING,MOTOR	2			
12	KV7-M8124-00X	NUT,PLUG	2			
13	KV7-M8127-00X	STAY,STOPPER	1			
14	KV7-M8128-00X	STOPPER Z	1			
15	KV7-M8129-00X	COLLAR,STOPPER	2			
16	KV7-M8131-00X	STAY,EJECTOR	1			
17	KV7-M8132-00X	PULLEY,MOTOR R	2			
18	KV7-M8133-00X	PLATE,STOPPER	1			
19	KV7-M8134-00X	POST 2,SPG Z	2			
20	KV7-M8135-00X	POST 1,SPG Z	2			
21	KV7-M8136-00X	PLATE1,SENSOR Z	1			
22	KV7-M8137-00X	PLATE2,SENSOR Z	1			
23	KV7-M8138-00X	PLATE 1, R SENSOR	1			
24	KV7-M8139-00X	PLATE 2,R SENSOR	1			
25	KV7-M8142-00X	SPRING,RETURN	2			
26	KV7-M8143-00X	SPACER,ENCORDER	4			
27	KV7-M8144-00X	PLATE,ENCODER	2			
28	KV7-M8145-00X	BELT,R MOTOR	2			
29	KV7-M8146-00X	PLATE,BRG FIX	2			
30	KV7-M8148-00X	O-RING S9	2			
30-1	90200-01J090	O-RING	2		2001.11.27	M1X0094
31	KV7-M8155-00X	BLOCK,SENSOR Z	2			
32	KV7-M8156-00X	STAY,SPG POST	2			
33	KV7-M8158-00X	STAY,HANDLE	1			
34	KV7-M8159-00X	SHAFT,HANDLE	1			
35	KV7-M8166-00X	STAY,VACUUM SENSOR	1			
36	KV7-M8167-00X	JOINT,VACUUM SENSOR	2			
37	KV7-M653A-30X	SENSOR,I ASSY.	2	L=450		
38	KV7-M653A-40X	SENSOR,I ASSY.	2	L=300		
39	KV7-M2256-00X	GRIP	1			
40	KH4-M715A-01X	PACKING	2			
40-1	KG2-M7181-00X	PACKIN MYA 4	2	Y4	1998.12.16	M8Y0107
40-2	90990-22J001	PACKING	1		2002.01.21	M210051
41	KM0-M7182-00X	EJECTOR	1	ME072M2A-16W		
42	KG2-M7198-01X	O-RING 1-B	2	P3		
42-1	90200-10J030	O-RING	2		2001.11.27	M1X0094
43	K67-M256J-00X	BEARING 5	2	6904ZZ		
43-1	90933-01J904	BEARING	2		2001.07.06	M170036
44	KM0-M9194-00X	BEARING	2	6902ZZ		
44-1	90933-01J902	BEARING	2		2001.07.06	M170036
45	90K50-4107GA	AC SERVO MOTOR	1			
45-1	90K55-4107GA	AC SERVO MOTOR	1	Z1		M960053
46	90K50-4107GB	AC SERVO MOTOR	1			
46-1	90K55-4107GB	AC SERVO MOTOR	1	Z2		M960053
47	90K50-4W073C	AC SERVO MOTOR	1			
47-1	90K55-4W073C	AC SERVO MOTOR	1	R1		M960053
48	90K50-4W073D	AC SERVO MOTOR	1			
48-1	90K55-4W073D	AC SERVO MOTOR	1	R2		M960053
49	91C00-03210	SPACER	2	M3X10L		
49-1	90563-03J100	SPACER BOLT	2		2001.09.01	M180147
50	90185-00J00	NUT U	2	FU00SS(M10)		
51	\$TSR4-M5	JOINT	2			
52	\$TB4-01	JOINT	2			
53	\$SL8-01	JOINT	1			
54	99080-05600	CIRCLIP	2			
54-1	90440-10J050	CIRCLIP	2		2001.12.28	M1Y0129
55	99009-28800	CIRCLIP	2			
56	99009-20800	CIRCLIP	2			
57	KV7-M81C0-00X	ENCODER ASSY.	2			
58	KV8-M7125-00X	FLANGE,MOTOR	2			
59	KV7-M8169-00X	SPACER COLLAR	2			
60	KV7-M8104-00X	HOUSING,SHAFT	1			
61	KV7-M8105-00X	SHAFT,MAIN	1			
62	KV7-M8107-00X	PLATE,BRG.	1			
63	KV7-M8111-00X	SPRING,SHAFT	1			
64	KG9-M7143-00X	BEARING	1	7904A5DB		
65	KV7-M8125-00X	SPACER,BRG OUTER	1			
66	KV7-M8126-00X	SPACER,BRG INNNER	1			
67	KG2-M7198-01X	O-RING 1-B	1	P3		
67-1	90200-10J030	O-RING	1		2001.11.27	M1X0094
68	90185-04J02	NUT U	1			
69	KV7-M8106-00X	SHAFT 1,SPLINE	1			
70	KV7-M8108-00X	GUIDE,SPRING	1			
71	KV7-M8109-01X	STOPPER,SHAFT 1	1			
72	KV7-M8110-00X	STOPPER,SHAFT 2	1			
73	KV7-M8149-00X	PLATE,WASHER	2			
74	KV7-M8157-01X	COLLAR,NOZZLE	1			
75	KG5-M7166-00X	PACKING	1	MYA-3		
75-1	90990-22J014	PACKING	1		2002.01.21	M210053
76	KV7-M8171-00X	PLATE,SPRING	4			
77	99080-04600	CIRCLIP	1			
77-1	90440-10J040	CIRCLIP	1		2001.12.28	M1Y0129
78	KV7-M81D0-00X	NOZZLE ARM ASSY.	2			
79	KV7-M8140-00X	STAY,FID CAMERA	1			
80	KV7-M8141-01X	STAY,FID LIGHT	1			
81	KV7-M7210-00X	CCD CAMERA	1			
81-1	KV7-M7210-01X	CCD CAMERA	1		2003.02.24	M320090
82	KV7-M7211-00X	LENS 095	1			
83	KV7-M7600-00X	FIDUCIAL LIGHT ASSY.	1			
84	KL0-M66F0-21X	C.CABLE ASSY	1	6m		
84-1	KV7-M66F4-00X	C.CABLE ASSY	1	1.7m	1999.05.26	M950080
85	90250-04J12	PIN PARALLEL	2	4X12		
85-1	99480-04012	PIN,PARALLEL	1	X1	2000.10.31	M000129
86	KV7-M8160-00X	STAY3,HEAD COVER	1			
87	KV7-M8161-00X	STAY2,HEAD COVER	1			
88	KV7-M8162-00X	COVER,HEAD	1			
89	KV7-M8163-01X	COVER,FID,CAMERA	1			
89-1	KV7-M8163-02X	COVER,FID,CAMERA	1	X4	1999.05.24	M930133
89-2	KV7-M8163-03X	COVER,FID,CAMERA	1	X3	2001.01.01	M040060
90	KV7-M8164-00X	STAY1,HEAD COVER	1			
91	KV7-M8165-00X	STAY,CABLE	1			
92	91C00-04210	SPACER	2	M4X10L		
92-1	90563-04J100	SPACER BOLT	2		2001.09.04	M180150
93	91C00-04215	SPACER	1	M4X15L		
93-1	90563-04J150	SPACER BOLT	2		2001.09.04	M180150
94	95306-05600	NUT,HEXAGON	2			
95	92D18-02006	BOLT HEX	2	M2X0.4X6		
96	KG7-M7170-00X	WASHER	2			
97	91317-03012	BOLT HEX,SOCKET HEAD	4			
98	91317-03008	BOLT HEX,SOCKET HEAD	4			
99	KM1-M4592-12X	VAC SENSOR BOARD ASSY.	2		2001.09	M190105
99-1	KM1-M4592-13X	VAC SENSOR BOARD	2		2005.04.19	MB40065
100	KH5-M7182-C0X	FILTER	2			
101	90990-17J006	O-RING	2			
102	KV7-M8172-00X	SCREW	6	M2.5X4	1999.08.27	M980066
103	98780-03008	SCREW,FLAT HEAD	1		1998.12.14	H3441
104	KV7-M66F2-00X	C.CABLE FLAT	1	6mm	1999.05.26	M950080
105	KV7-M8115-A0X	SPLINE SHAFT1 SPARE	1			
106	KV7-M812H-A0X	ENCODER SPARE	1			
107	KV7-M813H-A0X	HOLDER SHAFT SPARE	1			
108	KM0-M7182-C0X	FILTER CAP	1			
109	KM0-M7182-A0X	VALVE	1			
110	KM1-M7136-20X	VALVE	1			
111	KM0-M7182-BOX	EJECTOR	1			