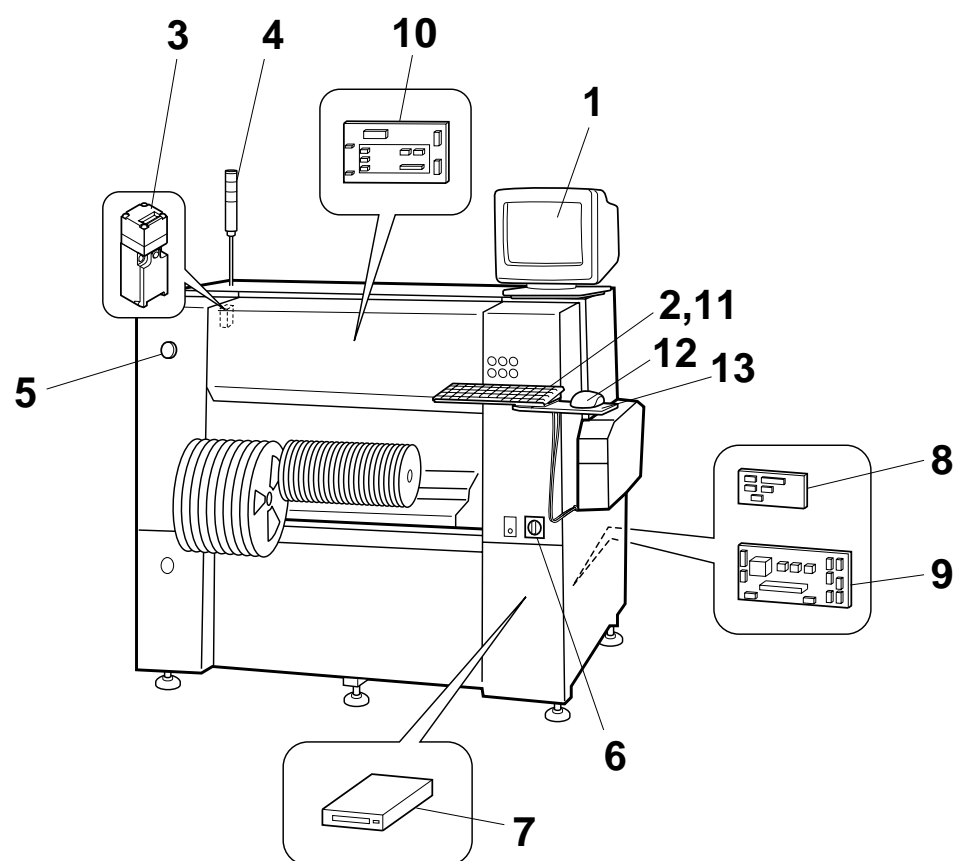


KGA-0602



No.	Part No.	Part Name	Q'ty	Remarks	Date	Revised No.	Compatibility
1	KW8-M5119-00X	MONI.15"COLOR ASSY	1				
1-1	KW8-M5119-01X	MONI.15"COLOR ASSY	1		2005.07.18	MA60007	OK
1-2	KW8-M5119-02X	MONI.15"LCD ASSY	1		(2005/11/11)	MB00070	OK
2	KW3-M5150-00X	KEYBOARD J	1	Japanese			
2-1	KW3-M5150-01X	KEYBOARD J	1	Japanese	(2003/09/26)	M390112	OK
2-2	KW3-M5150-50X	KEYBOARD J	1	Japanese	(2005/11/30)	MBX0153	OK
3	KW7-M5126-00X	SAFETY SWICTH	2				
4	KV7-M4899-10X	LIGHT 1 ASSY (L=300)	1	(L=300) STD			
	KV7-M4899-20X	LIGHT 1 ASSY (L=350)	1	(L=350)			
	KV7-M4899-30X	LIGHT 1 ASSY (L=450)	1	(L=450)			
	KV7-M4899-40X	LIGHT 1 ASSY (L=550)	1	(L=550)			
	KV7-M4899-50X	LIGHT 1 ASSY (L=650)	1	(L=650)			
	KV7-M4899-60X	LIGHT 1 ASSY (L=750)	1	(L=750)			
5	KH1-M5138-00X	SWITCH EMG ASSY	1				
5-1	KGK-M5138-00X	SWITCH EMG ASSY	1		(2003/04/25)	M340115	OK
6	KM5-M6554-10X	MAIN SWITCH	1				
7	KG7-M530H-01X	FLOPPY DISK DRIVE	1				
8	KM5-M4580-02X	I/O CONV. UNIT ASSY.	1				
9	KGA-M4550-10X	CONNECTION BOARD KIT	1				
10	KV8-M4570-01X	I/O HEAD UNIT ASSY.	1				
10-1	KV8-M4570-10X	I/O HEAD UNIT ASSY.	1	spare parts for old machine	(2005/10)	MB70136 MB90142	OK
10-2	KV8-M4570-01X	I/O HEAD UNIT ASSY.	1	parts for new machine ban on use to an old machine	(2005/10)	MB70136	NG
11	KW3-M5150-10X	KEYBOARD E	1	English			
11-1	KW3-M5150-11X	KEYBOARD E	1	English	(2003/09/26)	M390112	OK
11-2	KW3-M5150-60X	KEYBOARD E	1	English	(2005/11/30)	MBX0153	OK
12	KW3-M5169-00X	MOUSE	1		(2002/02/20)	M220095	OK
12-1	KW3-M5169-01X	MOUSE	1		(2003/08/05)	M380010	OK
12-2	KW3-M5169-02X	MOUSE	1		(2004/02/10)	M420037	OK
12-3	KW3-M5169-03X	MOUSE	1		(2005/04/19)	MB40014	OK
13	KGB-M1391-00X	MOUSE PAD	1				