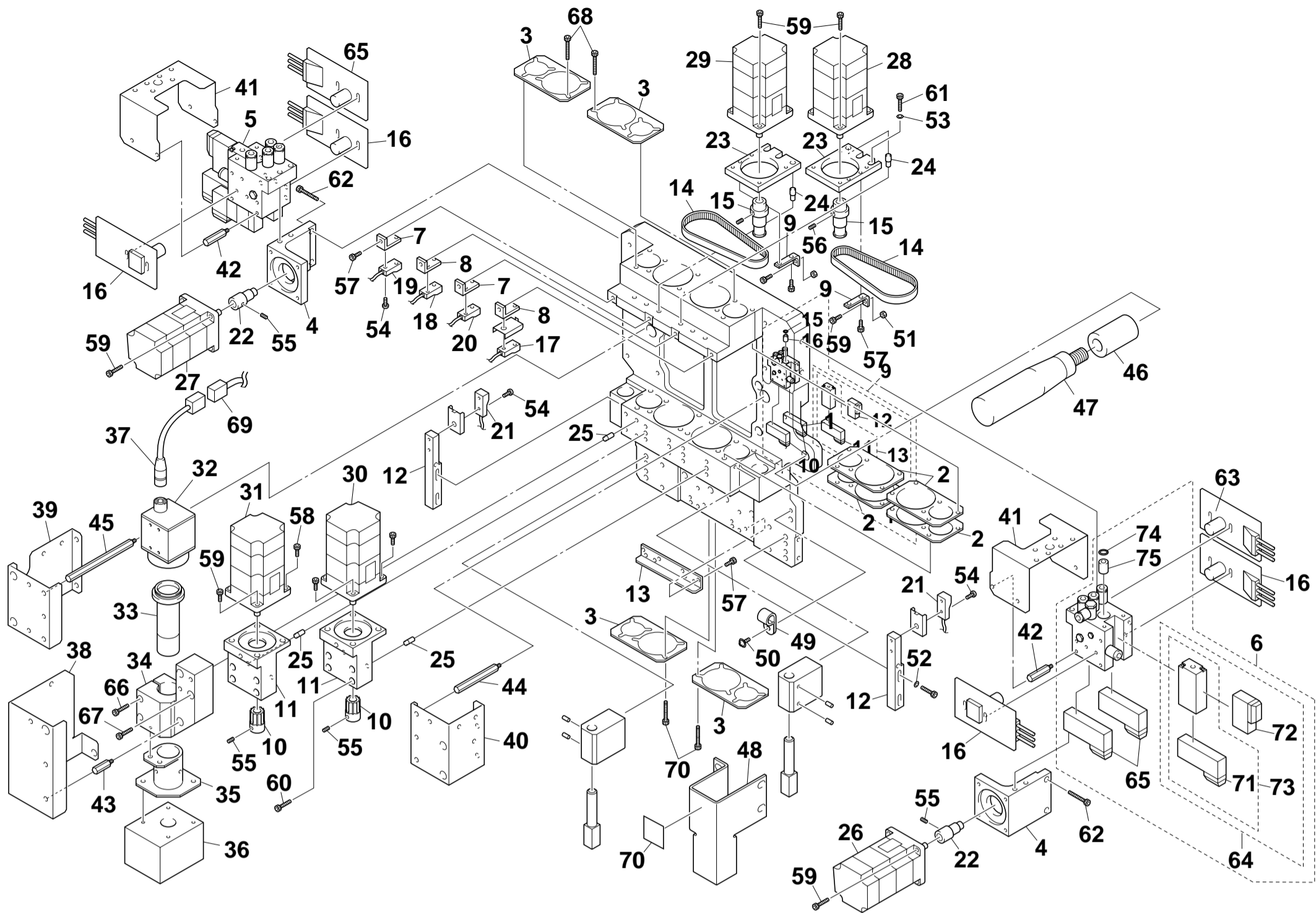


KGA-0507



No.	Part No.	Part Name	Q'ty	Remarks	Date	Revised No.
1	KGA-M7101-01X	HOUSING, HEAD	1			
2	KV7-M7102-00X	PLATE 1, BRG.	4			
3	KV7-M7103-00X	PLATE 2, BRG.	4			
4	KGA-M7105-00X	HOLDER, MOTOR Z	2			
5	KGA-M7110-00X	L VALVE ASSY.	1	ASSY.		
6	KGA-M7110-10X	R VALVE ASSY.	1	ASSY.		
7	KV7-M7112-01X	BRACKET, SENSOR	2			
8	KV7-M7113-01X	BRACKET, SENSOR	2			
9	KV7-M7114-00X	BRACKET, TENSION	2			
10	KV7-M7122-01X	GEAR, MOTOR R	2	Set w / KV7-M7121-01X	2003.02	M320004
11	KV7-M7123-00X	HOLDER, MOTOR R	2			
12	KV7-M7125-00X	STAY, SENSOR Z	2			
13	KGA-M7129-00X	STOPPER, GUIDE	1			
14	KGA-M7176-00X	BELT, N AXIS	2			
15	KGA-M7179-A0X	PULLEY N ASSY.	2			
16	KV7-M4592-01X	PRESSURE SENSOR ASSY.	4			
17	KV7-M653F-20X	SENSOR. 3 ASSY.	1	L=450 (N1 ORG)		
17-1	KV7-M653F-B0X	SENSOR HEAD	1	(N1 ORG)	2003.01.06	M2Y0087
18	KV7-M653F-30X	SENSOR. 3 ASSY.	1	L=500 (R2 ORG)		
19	KV7-M653G-10X	SENSOR. 4 ASSY.	1	L=450 (N2 ORG)		
20	KV7-M653G-20X	SENSOR. 4 ASSY.	1	L=500 (R1 ORG)		
21	KV7-M653A-50X	SENSOR. 1 ASSY.	2	L=400(Z1,Z2 DOWN)		
22	KGA-M7193-01X	PINION, Z AXIS	2		2003.05	M320124
23	KH5-M7111-00X	BRACKET, MOTOR R2	2			
24	KH5-M7118-00X	PIN 2, TENSION	2			
25	99480-04010	PIN PARALLEL	10	4X10		
26	90K55-4W07GA	AC SERVO MOTOR	1	for Z1-axis		
27	90K55-4W07GB	AC SERVO MOTOR	1	for Z2-axis		
28	90K55-4W07HN	AC SERVO MOTOR	1	for N1-axis		
29	90K55-4W07HV	AC SERVO MOTOR	1	for N2-axis		
30	90K57-4W07HC	AC SERVO MOTOR	1	for R1-axis		
31	90K57-4W07HD	AC SERVO MOTOR	1	for R2-axis		
32	KGA-M7210-01X	CCD CAMERA	1			
33	KV7-M7211-00X	LENS 095	1			
34	KV7-M7162-01X	HOLDER, CAMERA	1			
35	KM7-M7172-00X	STAY, FID. LIGHT	1			
36	KV7-M7600-00X	FIDUCIAL LIGHT ASSY.	1			
37	KGA-M66F4-00X	C.CABLE ASSY.	1	1.7M		
38	KV7-M71C1-00X	COVER, CAMERA	1			
39	KV7-M71C2-00X	STAY, LEFT	1			
40	KV7-M71C3-00X	STAY, RIGHT	1			
41	KV7-M71C4-00X	COVER, VALVE	2			
42	90563-03J180	SPACER	8	L=18		
43	90563-24J170	SPACER	1	L=17		
44	90563-24J500	SPACER	2	L=50		
45	90563-24J800	SPACER	2	L=80		
46	KV7-M8159-00X	SHAFT, HANDLE	1			
47	KV7-M2256-00X	GRIP	1			
48	KGA-M71C1-00X	COVER, MULTI MACS	1			
49	NK-4N	NYLON CLIP	11			
50	97604-04308	SCREW, PAN HEAD W/W	3			
51	95304-03700	NUT HEXAGON	2			
52	92907-03200	WASHER, PLAIN	4			
53	92907-04200	WASHER, PLAIN	4			
54	98507-03008	SCREW, PAN HEAD	6			
55	92A08-03303	SCREW, SET	8			
56	92A08-04305	SCREW, SET	4			
57	91317-03006	BOLT HEX. SOCKET HEAD	2			
58	91317-03008	BOLT HEX. SOCKET HEAD	4			
59	91317-03010	BOLT HEX. SOCKET HEAD	20			
60	91317-03022	BOLT HEX. SOCKET HEAD	8			
61	91317-04014	BOLT HEX. SOCKET HEAD	4			
62	91317-05020	BOLT HEX. SOCKET HEAD	4			
63	KM1-M4592-12X	VAC SENSOR BOARD ASSY.	2			
63-1	KM1-M4592-13X	VAC SENSOR BOARD	2		2005.04.19	MB40065
64	KGA-M7111-A0X	EJECTOR	2	Individual spare parts		
65	KV7-M7111-B0X	VALVE	4	Individual spare parts		
66	91317-03025	BOLT HEX. SOCKET HEAD	2			
67	91317-04025	BOLT HEX. SOCKET HEAD	2			
68	91317-03035	BOLT HEX. SOCKET HEAD	24			
69	KGA-M66F2-00X	C.CABLE ASSY	1	6M		
70	KV7-M7165-00X	SEAL DON'T TOUCH	1		2001.05.24	M150089
71	KGA-M7111-H0X	VALVE(OPERATE)	2	A041E1		
72	KGA-M7111-G0X	VALVE(BLOW)	2	A010E1		
73	KGA-M7111-F0X	EJECTOR	2			
74	90990-17J008	O-RING	2			
75	K46-M8527-C0X	FILTER	2			