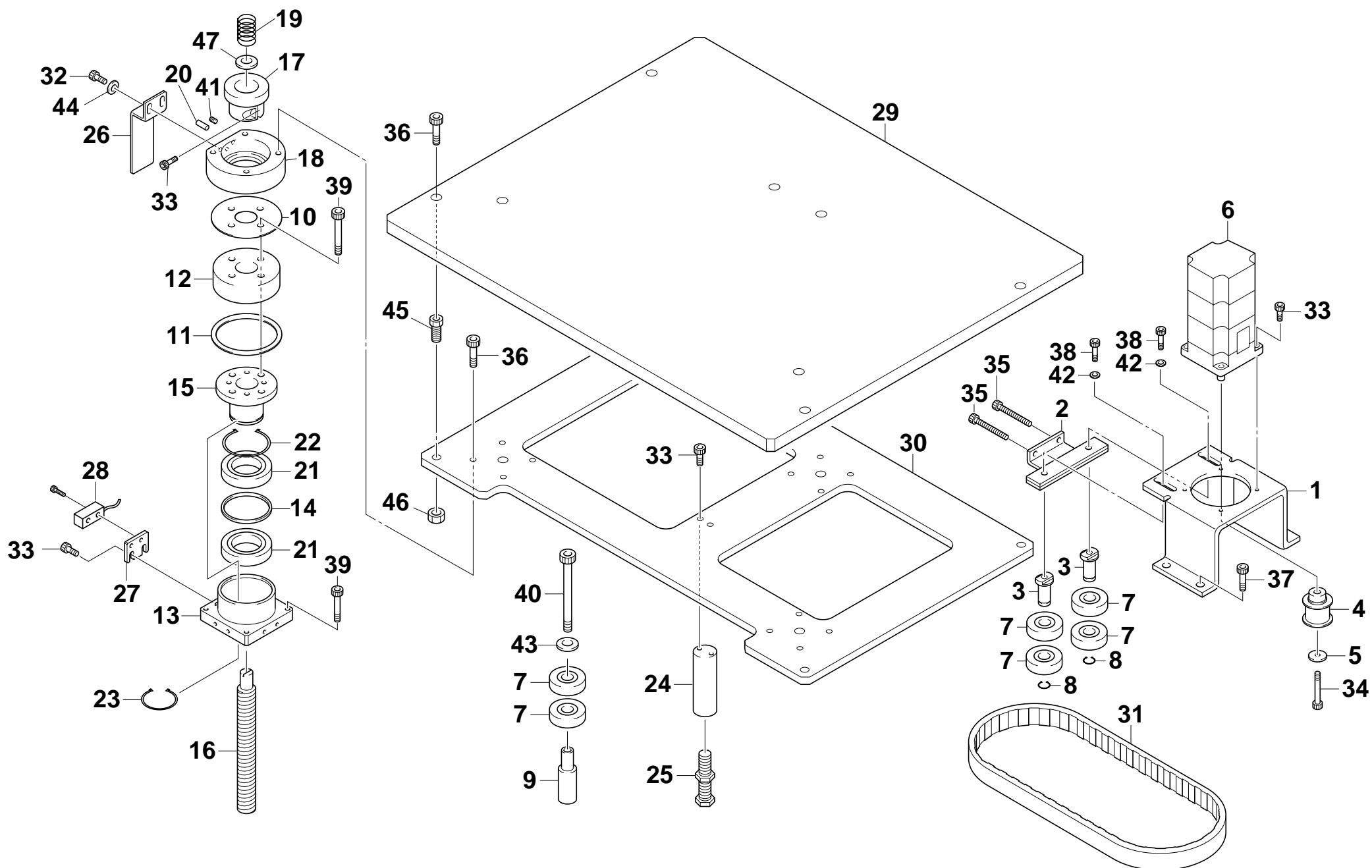


KGA-0506



| No.  | Part No.      | Part Name             | Q'ty | Remarks        | Date       | Revised No. |
|------|---------------|-----------------------|------|----------------|------------|-------------|
| 1    | KV7-M9201-00X | BRACKET, MOTOR        | 1    |                |            |             |
| 2    | KV7-M9202-00X | STAY, ADJUST          | 1    |                |            |             |
| 3    | KV7-M9203-00X | SHAFT 1               | 2    |                |            |             |
| 4    | KV7-M9205-01X | PULLEY 1              | 1    | P22-3GT        |            |             |
| 5    | KV7-M9206-00X | WASHER                | 1    |                |            |             |
| 6    | 90K55-523D5U  | AC SERVO MOTOR        | 1    |                |            |             |
| 7    | 90933-01J200  | BEARING               | 6    | 6200ZZ         |            |             |
| 8    | 99009-10400   | CIRCLIP               | 2    |                |            |             |
| 9    | KV7-M9204-00X | SHAFT 2               | 1    |                |            |             |
| 10   | KV7-M9207-00X | FLANGE 1              | 1    |                |            |             |
| 11   | KV7-M9208-00X | FLANGE 2              | 1    |                |            |             |
| 12   | KV7-M9209-01X | PULLEY 2              | 1    |                |            |             |
| 13   | KV7-M9211-00X | HOUSING               | 1    |                |            |             |
| 14   | KV7-M9212-00X | COLLAR 2              | 1    |                |            |             |
| 15   | KV7-M9213-00X | NUT                   | 1    |                |            |             |
| 16   | KV7-M9214-00X | SCREW                 | 1    |                |            |             |
| 17   | KV7-M9215-00X | JOINT                 | 1    |                |            |             |
| 18   | KV7-M9217-00X | FLANGE                | 1    |                |            |             |
| 19   | KV7-M9218-00X | SPRING                | 1    |                |            |             |
| 20   | KV7-M921C-00X | ROLLER                | 1    |                |            |             |
| 21   | 90933-01J905  | BEARING 3             | 2    | 6905ZZ         |            |             |
| 22   | 99009-42500   | CIRCLIP               | 1    |                |            |             |
| 23   | 99009-25400   | CIRCLIP               | 1    |                |            |             |
| 24   | KV7-M9219-00X | STOPPER               | 1    |                |            |             |
| 25   | KV7-M921B-00X | BOLT, STOPPER         | 1    |                |            |             |
| 26   | KV7-M920D-00X | DOG                   | 1    |                |            |             |
| 27   | KV7-M920E-00X | BRACKET               | 1    |                |            |             |
| 28   | KV7-M653A-00X | SENSOR, 1 ASSY        | 1    | L=600          |            |             |
| 28-1 | KGA-M921G-00X | SENSOR, ORG           | 1    |                | 2002.02.28 | M220126     |
| 29   | KGA-M920A-01X | PLATE 440             | 1    | W440           |            |             |
|      | KGA-M920A-11X | PLATE 382             | 1    | W382           |            |             |
|      | KGA-M920A-21X | PLATE 335             | 1    | W335           |            |             |
|      | KGA-M920A-32X | PLATE 250             | 1    | W250           |            |             |
| 30   | KGA-M920C-00X | STAY                  | 1    | W440,W382      |            |             |
|      | KGA-M920C-20X | STAY                  | 1    | W335           |            |             |
|      | KGA-M920C-31X | STAY                  | 1    | W250           |            |             |
| 31   | KV7-M921A-01X | BELT                  | 1    | W440,W382,W335 |            |             |
|      | KV7-M921A-31X | BELT                  | 1    | W250           |            |             |
| 32   | 91317-04008   | BOLT HEX. S_CKET HEAD | 2    |                |            |             |
| 33   | 91317-04010   | BOLT HEX. S_CKET HEAD | 10   |                |            |             |
| 34   | 91317-04012   | BOLT HEX. S_CKET HEAD | 1    |                |            |             |
| 35   | 91317-04020   | BOLT HEX. S_CKET HEAD | 2    |                |            |             |
| 36   | 91317-05012   | BOLT HEX. S_CKET HEAD | 8    |                |            |             |
| 37   | 91317-05014   | BOLT HEX. S_CKET HEAD | 4    |                |            |             |
| 38   | 91317-05016   | BOLT HEX. S_CKET HEAD | 2    |                |            |             |
| 39   | 91317-05020   | BOLT HEX. S_CKET HEAD | 8    |                |            |             |
| 40   | 91317-06060   | BOLT HEX. S_CKET HEAD | 1    |                |            |             |
| 41   | 92A08-03006   | SET SCREW             | 1    | M3X6           |            |             |
| 42   | 92907-04200   | WASHER PLAIN          | 2    |                |            |             |
| 43   | 92907-06200   | WASHER PLAIN          | 1    |                |            |             |
| 44   | 92990-04200   | WASHER PLAIN          | 1    |                |            |             |
| 45   | KGA-M921T-00X | BOLT                  | 4    |                |            |             |
| 46   | 95604-10100   | NUT U                 | 4    |                |            |             |
| 47   | 92907-10600   | WASHER PLAIN          | 1    | M10            |            | M3X0039     |