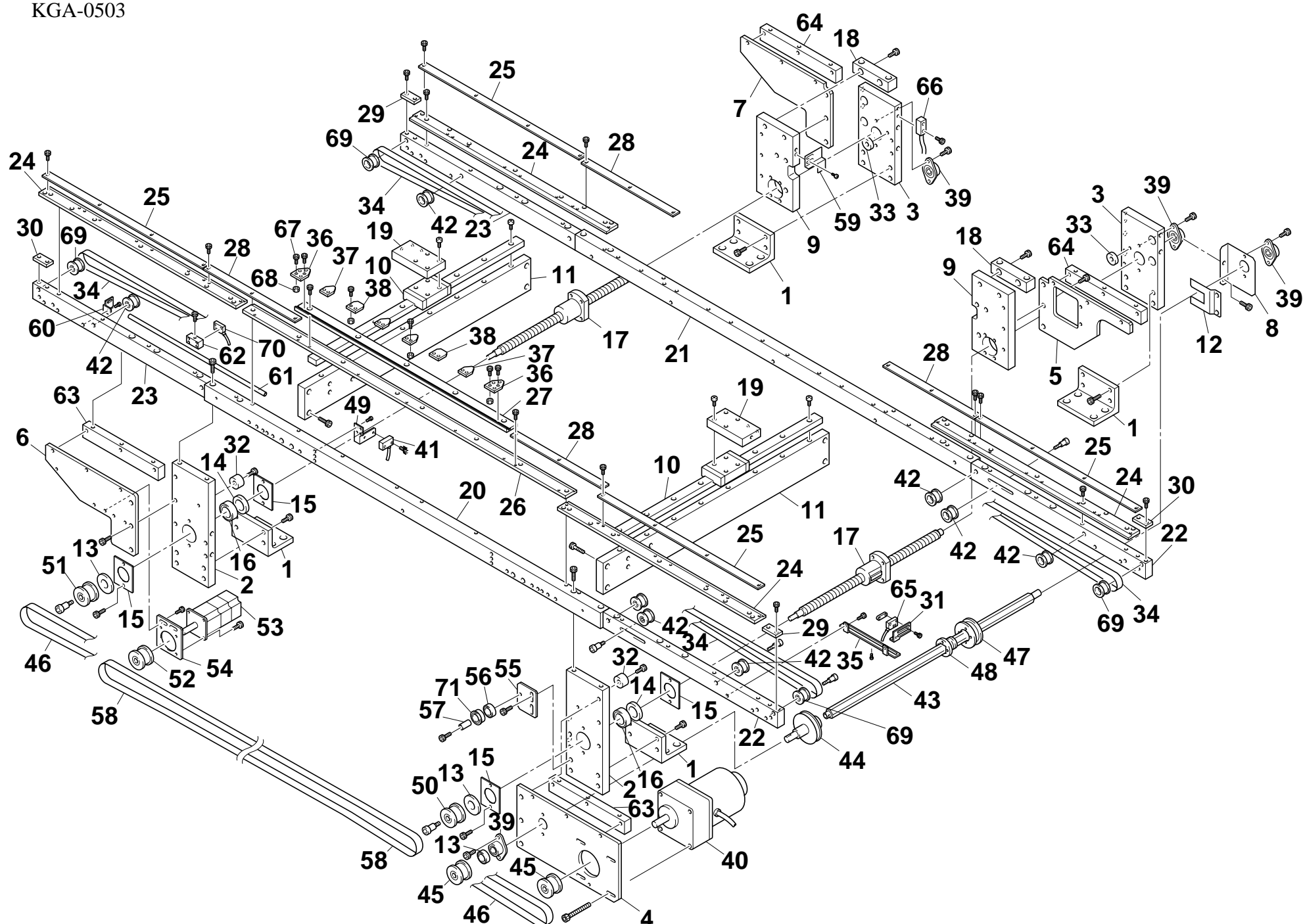


KGA-0503



No.	Part No.	Part Name	Q'ty	Remarks	Date	Revised No.
1	KV7-M9101-02X	STAY, FOOT	4			
2	KV7-M9102-00X	PLATE 1	2			
3	KV7-M9103-00X	PLATE 2	2			
4	KV7-M9106-00X	BRKT.1, EXT. FRAME	1			
5	KV7-M9107-00X	BRKT.2, EXT. FRAME	1			
6	KV7-M9108-00X	BRKT.3, EXT. FRAME	1			
7	KV7-M9109-00X	BRKT.4, EXT. FRAME	1			
8	KV7-M9105-00X	BRKT., SPLINE	1			
9	KV7-M9104-00X	PLATE 3	2			
10	KGA-M9116-XXX	LM RAIL & BLOCK	2			
11	KV7-M9115-XXX	PLATE, LINEAR	2			
12	KV7-M9111-01X	BRKT., COLLAR	1			
13	KG7-M9110-01X	COLLAR, W	3			
14	KV7-M9110-00X	COLLAR 2, W	2			
15	KV7-M9118-00X	PLATE, BRG.	4			
16	90933-01J200	BRG.	2	6200ZZ		
17	KV7-M9132-XXX	BALL SCREW W	2			
18	KV7-M9113-00X	STAY, FRAME	2			
19	KV7-M9114-00X	BRKT., GUIDE	2			
19-1	KV7-M9114-01X	BRKT., GUIDE	2		2003.03.14	M330041
20	KV7-M9121-00X	FRAME, CONV. FIXED	1			
21	KV7-M9122-00X	FRAME, CONV. MOVING	1			
22	KV7-M9127-00X	FRAME 1, EXT.	2			
22-1	KV7-M9127-01X	FRAME 1, EXT.	2		2004.05.11	MA500200
23	KV7-M9128-00X	FRAME 2, EXT.	2			
23-1	KV7-M9128-01X	FRAME 2, EXT.	2		2004.05.11	MA500200
24	KV7-M9123-00X	GUIDE 1	4			
25	KV7-M9126-00X	GUIDE 1-1	4			
26	KV7-M9124-00X	PLATE 1, GUIDE	1			
27	KV7-M9125-00X	PLATE 2, GUIDE	1			
28	KV7-M9126-10X	GUIDE 1-2	4			
29	KM7-M9113-01X	GUIDE 1, END	2			
29-1	KGA-M9113-00X	GUIDE 1, END	2		2001.08.24	M180096
30	KM7-M9114-01X	GUIDE 2, END	2			
30-1	KGA-M9114-00X	GUIDE 2, END	2		2001.08.24	M180096
31	KG7-M912A-00X	BRACKET SENSOR	1			
32	KV7-M9151-00X	DAMPER 1, W	2			
33	KV7-M9152-00X	DAMPER 2, W	2			
34	KV7-M9129-00X	BELT 1, CONVEYOR	2			
35	KV7-M9144-00X	BRKT.3, SENSOR	1			
36	KG7-M9133-00X	PLATE, LOCATE PIN	2			
37	KG7-M9135-00X	PLATE, EDGE 2	4			
38	KG7-M9136-00X	PLATE, EDGE 3	2			
39	KH2-M9121-00X	BEARING	4			
40	KV7-M4886-00X	MOTOR ASSY.	1	CONV.MO		
41	KM0-M655F-10X	SENSOR, 1-3	1	L=1150		
41-1	KGA-M911D-00X	SENSOR SET POS	1	SQ034	2002.02.28	M220126
42	KV7-M9140-A0X	PULLEY, CONVEYOR ASSY.	8			
43	KV7-M9143-XXX	SPLINE 1	1			
44	KV7-M9142-00X	PULLEY 1, MOTOR	1			
45	KH2-M9105-11X	PULLEY, MOTOR	2	P30-3GT		
46	KV7-M9146-00X	BELT	2	300-3GT-9		
47	KG2-M9105-00X	PULLEY 1 SPLINE	1			
48	KG2-M9108-11X	COLLAR, CONVEYOR	1			
49	KGA-M91B2-00X	BRKT., SENSOR	1			
50	KG7-M9111-01X	PULLEY 1	1			
51	KG7-M9112-01X	PULLEY 2	1			
52	KG7-M9113-01X	PULLEY 3	1			
53	90K55-4W476W	AC SERVO MOTOR	1			
54	KV7-M9147-00X	BRKT., MOTOR W	1			
55	KV7-M9148-00X	BRKT., TENSION	2			
56	90933-02J608	BEARING	2	608ZZ		
57	KV7-M9149-00X	COLLAR, BRG.	2			
58	KG7-M9115-00X	BELT W AXIS	1			
59	KV7-M9150-00X	DOG 1, ORIGIN	1			
60	KV7-M9155-00X	BRKT., SENSOR SHAFT	2			
61	KV7-M9156-01X	SENSOR SHAFT	1			
62	KV7-M9157-01X	BRKT.4, SENSOR	1			
63	KV7-M910A-00X	STAY1, EXT. FRAME.	2			
64	KV7-M910B-00X	STAY2, EXT. FRAME.	2			
65	KU0-M655F-20X	SENSOR, 1-3	2	L=1400		
65-1	KGA-M911A-00X	SENSOR ENT	1	SQ031	2002.02.28	M220126
66	KV7-M653A-20X	SENSOR 1 ASSY	1	L=300		
67	98907-03005	SCREW BINDING HEAD	20	M3X5		
68	95304-03700	NUT HEXAGON	20	M3		
69	KGS-M9140-A0X	PULLEY, CONV. ASSY.	4		2004.08.17	MA80028
70	KGA-M911E-00X	SENSOR, OUT	1		2002.02.28	M220126
71	90933-03J608	BEARING	2			