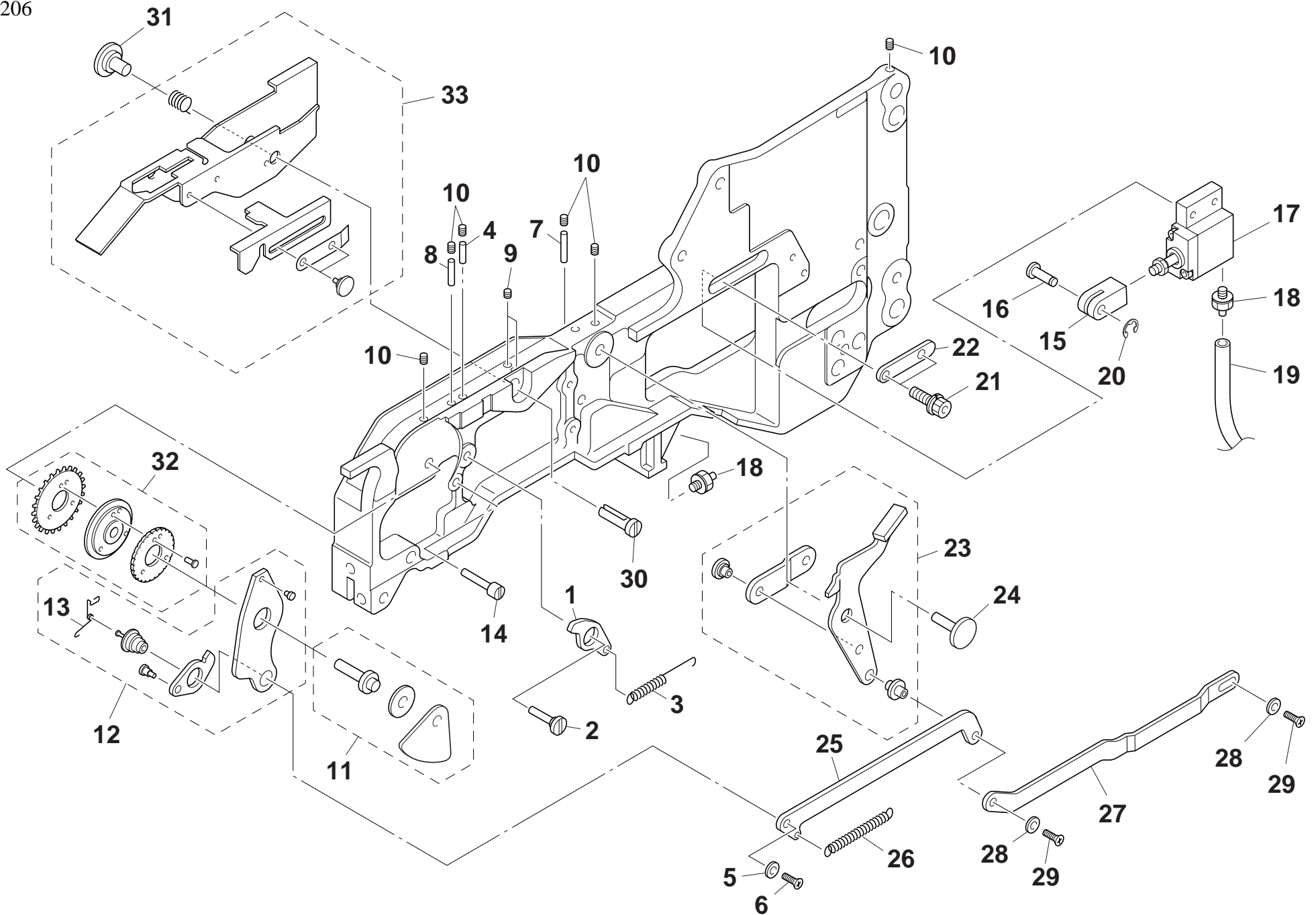


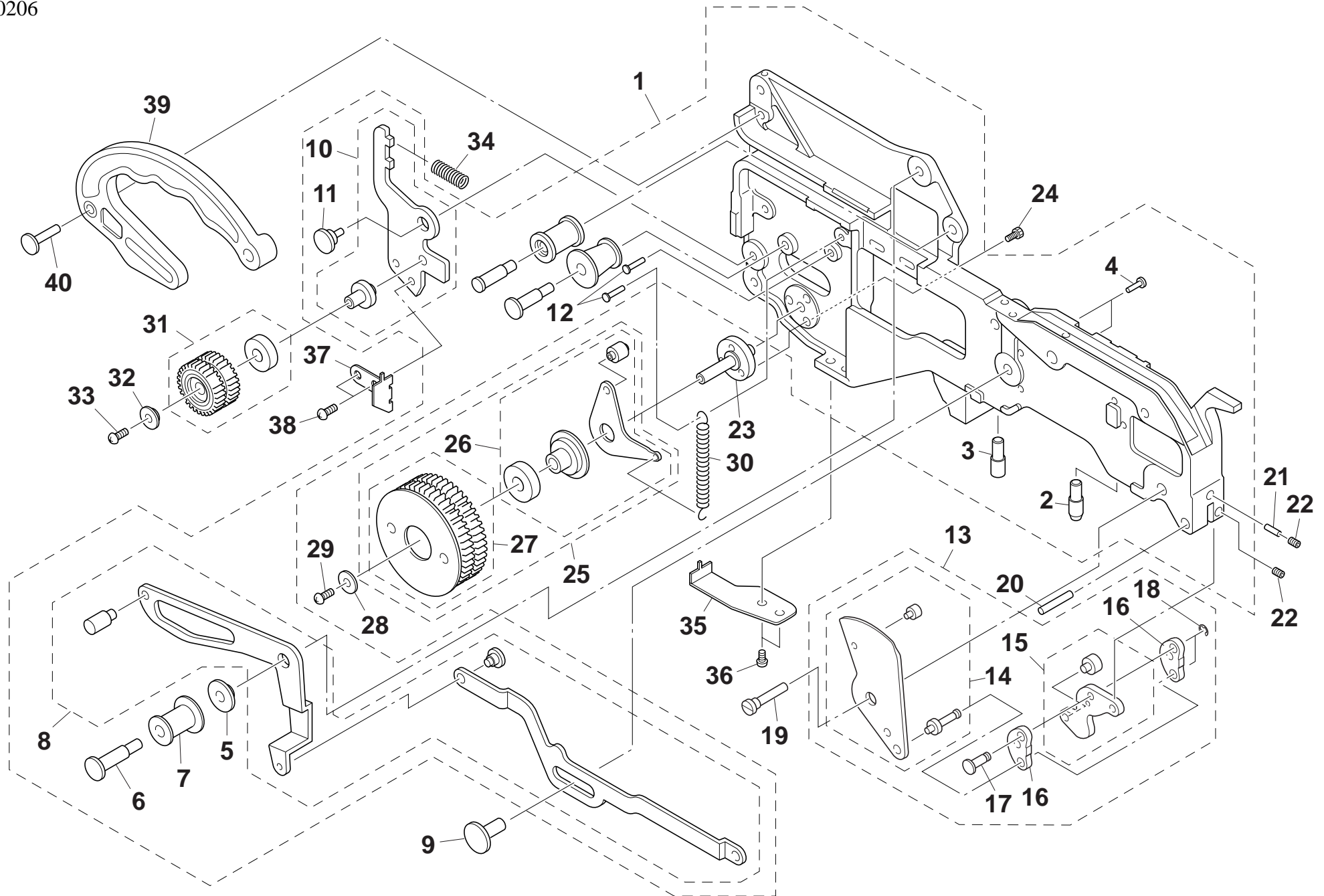
KW1-0206



| No. | Part No. | Part Name | Q'ty | Remarks |
|-----|---------------|---------------------|------|---------|
| 1 | K87-M111H-20X | BACK STOPPER | 1 | |
| 2 | K87-M211B-00X | BACK STOPPER AXIS | 1 | |
| 3 | KW1-M111A-00X | SPRING | 1 | |
| 4 | K87-M111G-00X | PUSH PIN | 1 | |
| 5 | K87-M111C-00X | PLANE WASHER | 1 | |
| 6 | K87-M11BF-00X | SCREW,FLAT HEAD +IB | 1 | |
| 7 | K87-M111D-00X | PUSH PIN | 1 | |
| 8 | K87-M111G-100 | PUSH PIN | 1 | |
| 9 | K87-M111T-00X | SCREW,SET | 2 | |
| 10 | K87-M111R-00X | SCREW,SET | 6 | |
| 11 | K87-M212L-10X | SPROCKET AXIS ASSY | 1 | |
| 12 | KW1-M222A-00X | RACKING LEVER ASSY | 1 | |
| 13 | K87-M112D-10X | COIL SPRING | 1 | |
| 14 | KW1-M221F-10X | STOPPER PIN | 1 | |
| 15 | K87-M1181-00X | ROD CONNECT | 1 | |
| 16 | K87-M1184-00X | CONNECT PIN | 1 | |
| 17 | KW1-M2285-00X | MULTI CYLINDER | 1 | |
| 18 | K87-M56C1-00X | BARB CONNECTOR | 2 | |
| 19 | KW1-M22B1-00X | AIR HOSE | 1 | L60 |
| 20 | K87-M11B9-00X | CIRCLIP E | 1 | |
| 21 | KW1-M22B6-00X | BOLT,SOCKET HEAD SW | 2 | |
| 22 | KW1-M2284-00X | CYLINDER ADJ PLATE | 1 | |
| 23 | KW1-M224A-00X | HAND LEVER ASSY | 1 | |
| 24 | KW1-M116K-00X | LEVER AXIS | 1 | |
| 25 | KW1-M2277-00X | MAIN ARM | 1 | |
| 26 | KW1-M221E-00X | SPRING | 1 | |
| 27 | KW1-M224D-00X | SUB ARM | 1 | |
| 28 | K87-M111C-00X | PLANE WASHER | 2 | |
| 29 | K87-M11BF-00X | SCREW,FLAT HEAD +IB | 2 | |
| 30 | K87-M214N-00X | GUIDE AXIS | 1 | |
| 31 | K87-M214P-00X | GUIDE PIN | 1 | |
| 32 | K87-M1120-10X | SPROCKET ASSY | 1 | |
| 33 | KW1-M2240-00X | TAPE GUIDE ASSY | 1 | |
| 34 | | | | |
| 35 | | | | |
| 36 | | | | |
| 37 | | | | |
| 38 | | | | |

| No. | Part No. | Part Name | Q'ty | Remarks |
|-----|----------|-----------|------|---------|
| 39 | | | | |
| 40 | | | | |
| 41 | | | | |
| 42 | | | | |
| 43 | | | | |
| 44 | | | | |
| 45 | | | | |
| 46 | | | | |
| 47 | | | | |
| 48 | | | | |
| 49 | | | | |
| 50 | | | | |
| 51 | | | | |
| 52 | | | | |
| 53 | | | | |
| 54 | | | | |
| 55 | | | | |
| 56 | | | | |
| 57 | | | | |
| 58 | | | | |
| 59 | | | | |
| 60 | | | | |
| 61 | | | | |
| 62 | | | | |
| 63 | | | | |
| 64 | | | | |
| 65 | | | | |
| 66 | | | | |
| 67 | | | | |
| 68 | | | | |
| 69 | | | | |
| 70 | | | | |
| 71 | | | | |
| 72 | | | | |
| 73 | | | | |
| 74 | | | | |
| 75 | | | | |
| 76 | | | | |

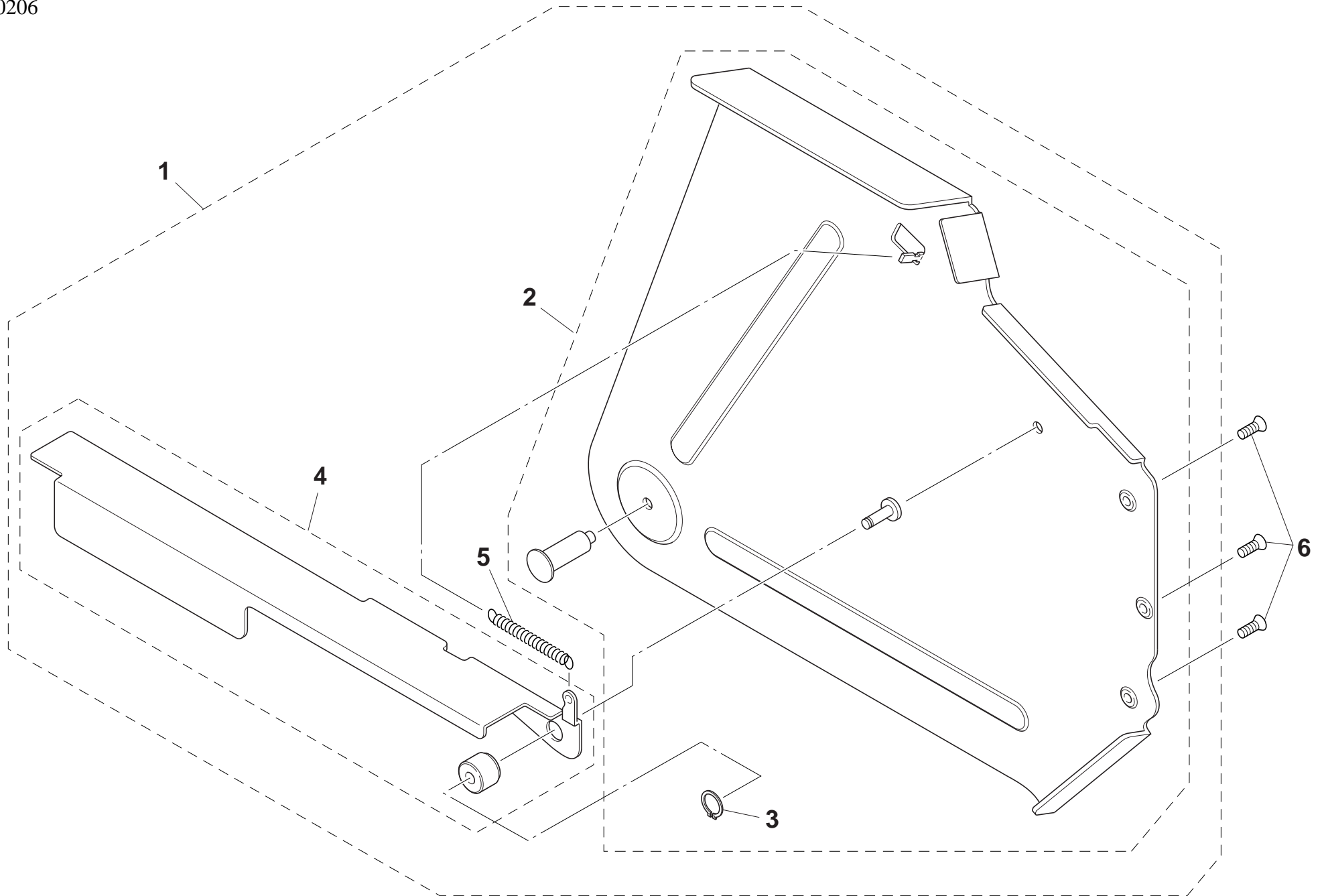
KW1-0206



| No. | Part No. | Part Name | Q'ty | Remarks |
|-----|---------------|----------------------|------|---------|
| 1 | KW1-M2210-00X | BODY ASSY | 1 | |
| 2 | K87-M1112-10X | KNOCK PIN | 1 | FRONT |
| 3 | KW1-M1113-00X | KNOCK PIN | 1 | REAR |
| 4 | K87-M1115-00X | CIRCULAR RIVET | 2 | |
| 5 | KW1-M226F-00X | LEVER METAL | 1 | |
| 6 | KW1-M226H-00X | METAL AXIS | 1 | |
| 7 | KW1-M226W-00X | ROLLER | 1 | |
| 8 | KW1-M2250-00X | HANDLE LEVER ASSY | 1 | |
| 9 | KW1-M116K-00X | LEVER AXIS | 1 | |
| 10 | KW1-M226D-00X | TENSION LEVER ASSY | 1 | |
| 11 | KW1-M116F-00X | LEVER AXIS PIN | 1 | |
| 12 | K87-M1115-00X | CIRCULAR RIVET | 2 | |
| 13 | KW1-M2231-00X | CLAMP LEVER UNIT | 1 | |
| 14 | KW1-M2232-00X | CLAMP LEVER ASSY | 1 | |
| 15 | K87-M213A-00X | CLANK ARM ASSY | 1 | |
| 16 | K87-M113D-00X | ARM | 2 | |
| 17 | K87-M113E-00X | HINGE PIN 2 | 1 | |
| 18 | K87-M11D7-00X | CIRCLIP E | 2 | |
| 19 | K87-M213L-10X | CLAMP LEVER AXIS | 1 | |
| 20 | K87-M213M-00X | AXIS PIN | 1 | |
| 21 | K87-M113H-00X | PUSH PIN | 1 | |
| 22 | K87-M111V-00X | SCREW,SET | 2 | |
| 23 | KW1-M226J-00X | METAL SHAFT | 1 | |
| 24 | KW1-M22B5-00X | BOLT,HEX SOCKET HEAD | 3 | |
| 25 | KW1-M2291-00X | DRIVE ROLLER UNIT | 1 | |
| 26 | KW1-M2292-00X | INDENTATION LVR ASSY | 1 | |
| 27 | KW1-M229F-00X | DRIVE ROLLER ASSY | 1 | |
| 28 | K87-M117B-00X | PLANE WASHER | 1 | |
| 29 | K87-M11BB-00X | SCREW,FLAT HEAD + IB | 1 | |
| 30 | KW1-M229K-00X | SPRING | 1 | |
| 31 | KW1-M229L-00X | IDLE ROLLER ASSY | 1 | |
| 32 | KW1-M229R-00X | COLLAR | 1 | |
| 33 | K87-M21BB-00X | SCREW,TRUSS HEAD | 1 | |
| 34 | KW1-M119P-00X | SPRING | 1 | |
| 35 | KW1-M22A1-00X | LOWER GUIDE PLATE R | 1 | |
| 36 | K87-M53BS-00X | SCREW,PAN HEAD + | 2 | |
| 37 | KW1-M22A3-00X | LOWER GUIDE PLATE L | 1 | |
| 38 | K87-M111N-00X | SCREW,PAN HEAD + | 2 | |

| No. | Part No. | Part Name | Q'ty | Remarks |
|-----|---------------|-----------|------|-------------|
| 39 | KW1-M125L-10X | HOLD ARM | 1 | BLACK H7045 |
| 40 | KW1-M115M-00X | ARM AXIS | 1 | |
| 41 | | | | |
| 42 | | | | |
| 43 | | | | |
| 44 | | | | |
| 45 | | | | |
| 46 | | | | |
| 47 | | | | |
| 48 | | | | |
| 49 | | | | |
| 50 | | | | |
| 51 | | | | |
| 52 | | | | |
| 53 | | | | |
| 54 | | | | |
| 55 | | | | |
| 56 | | | | |
| 57 | | | | |
| 58 | | | | |
| 59 | | | | |
| 60 | | | | |
| 61 | | | | |
| 62 | | | | |
| 63 | | | | |
| 64 | | | | |
| 65 | | | | |
| 66 | | | | |
| 67 | | | | |
| 68 | | | | |
| 69 | | | | |
| 70 | | | | |
| 71 | | | | |
| 72 | | | | |
| 73 | | | | |
| 74 | | | | |
| 75 | | | | |
| 76 | | | | |

KW1-0206



| No. | Part No. | Part Name | Q'ty | Remarks |
|-----|---------------|--------------------|------|---------|
| 1 | KW1-M22D0-10X | REEL HOLDER ASSY | 1 | |
| 2 | KW1-M22D1-10X | REEL PLATE ASSY | 1 | |
| 3 | K87-M11D7-20X | CIRCLIP C | 1 | |
| 4 | KW1-M22DA-10X | TENSION LEVER ASSY | 1 | |
| 5 | K87-M22DL-00X | SPRING | 1 | |
| 6 | K87-M55BN-00X | SCREW,FLAT HEAD + | 3 | |
| 7 | | | | |
| 8 | | | | |
| 9 | | | | |
| 10 | | | | |
| 11 | | | | |
| 12 | | | | |
| 13 | | | | |
| 14 | | | | |
| 15 | | | | |
| 16 | | | | |
| 17 | | | | |
| 18 | | | | |
| 19 | | | | |
| 20 | | | | |
| 21 | | | | |
| 22 | | | | |
| 23 | | | | |
| 24 | | | | |
| 25 | | | | |
| 26 | | | | |
| 27 | | | | |
| 28 | | | | |
| 29 | | | | |
| 30 | | | | |
| 31 | | | | |
| 32 | | | | |
| 33 | | | | |
| 34 | | | | |
| 35 | | | | |
| 36 | | | | |
| 37 | | | | |
| 38 | | | | |

| No. | Part No. | Part Name | Q'ty | Remarks |
|-----|----------|-----------|------|---------|
| 39 | | | | |
| 40 | | | | |
| 41 | | | | |
| 42 | | | | |
| 43 | | | | |
| 44 | | | | |
| 45 | | | | |
| 46 | | | | |
| 47 | | | | |
| 48 | | | | |
| 49 | | | | |
| 50 | | | | |
| 51 | | | | |
| 52 | | | | |
| 53 | | | | |
| 54 | | | | |
| 55 | | | | |
| 56 | | | | |
| 57 | | | | |
| 58 | | | | |
| 59 | | | | |
| 60 | | | | |
| 61 | | | | |
| 62 | | | | |
| 63 | | | | |
| 64 | | | | |
| 65 | | | | |
| 66 | | | | |
| 67 | | | | |
| 68 | | | | |
| 69 | | | | |
| 70 | | | | |
| 71 | | | | |
| 72 | | | | |
| 73 | | | | |
| 74 | | | | |
| 75 | | | | |
| 76 | | | | |