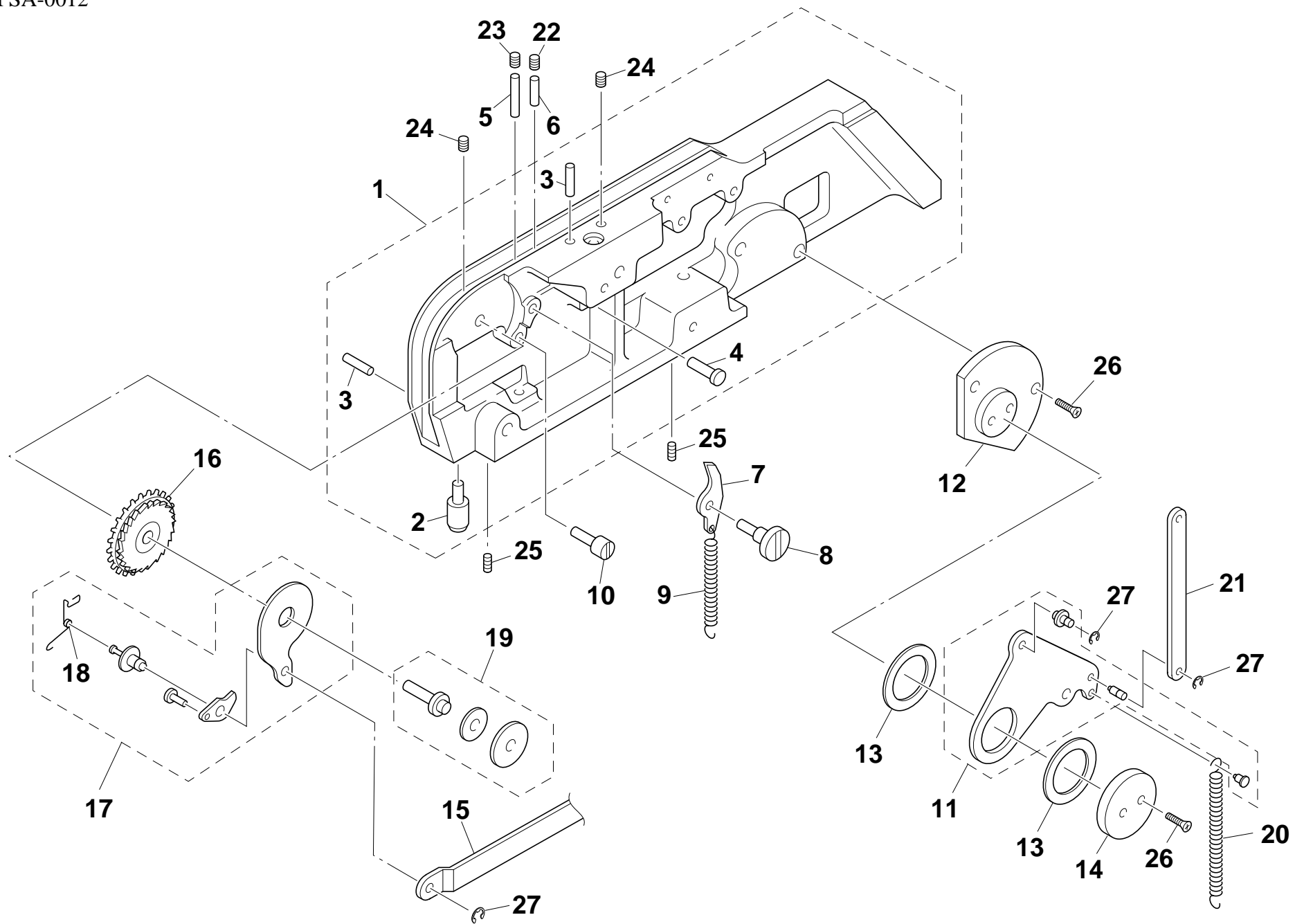
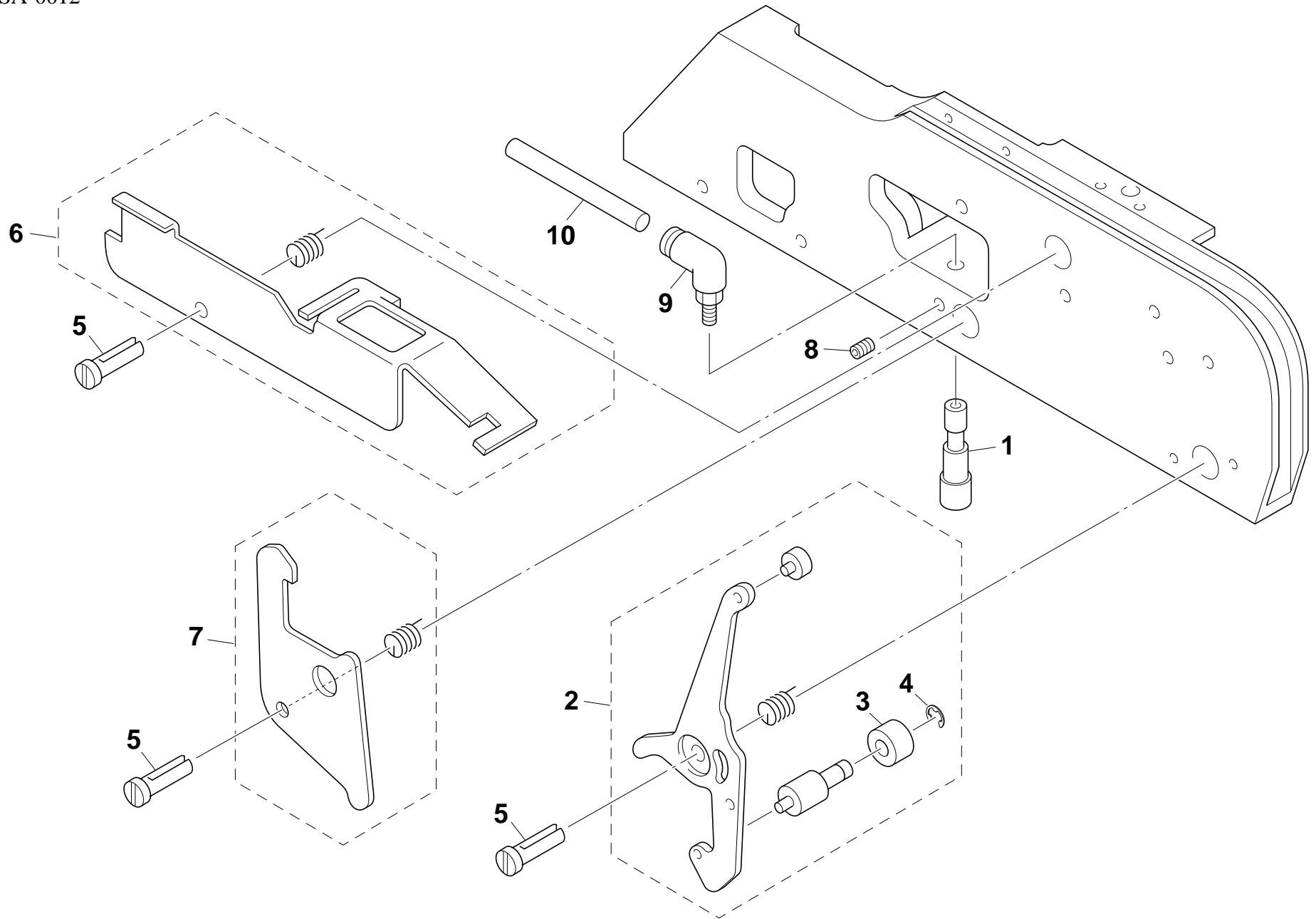


FV12LP PSA-0012



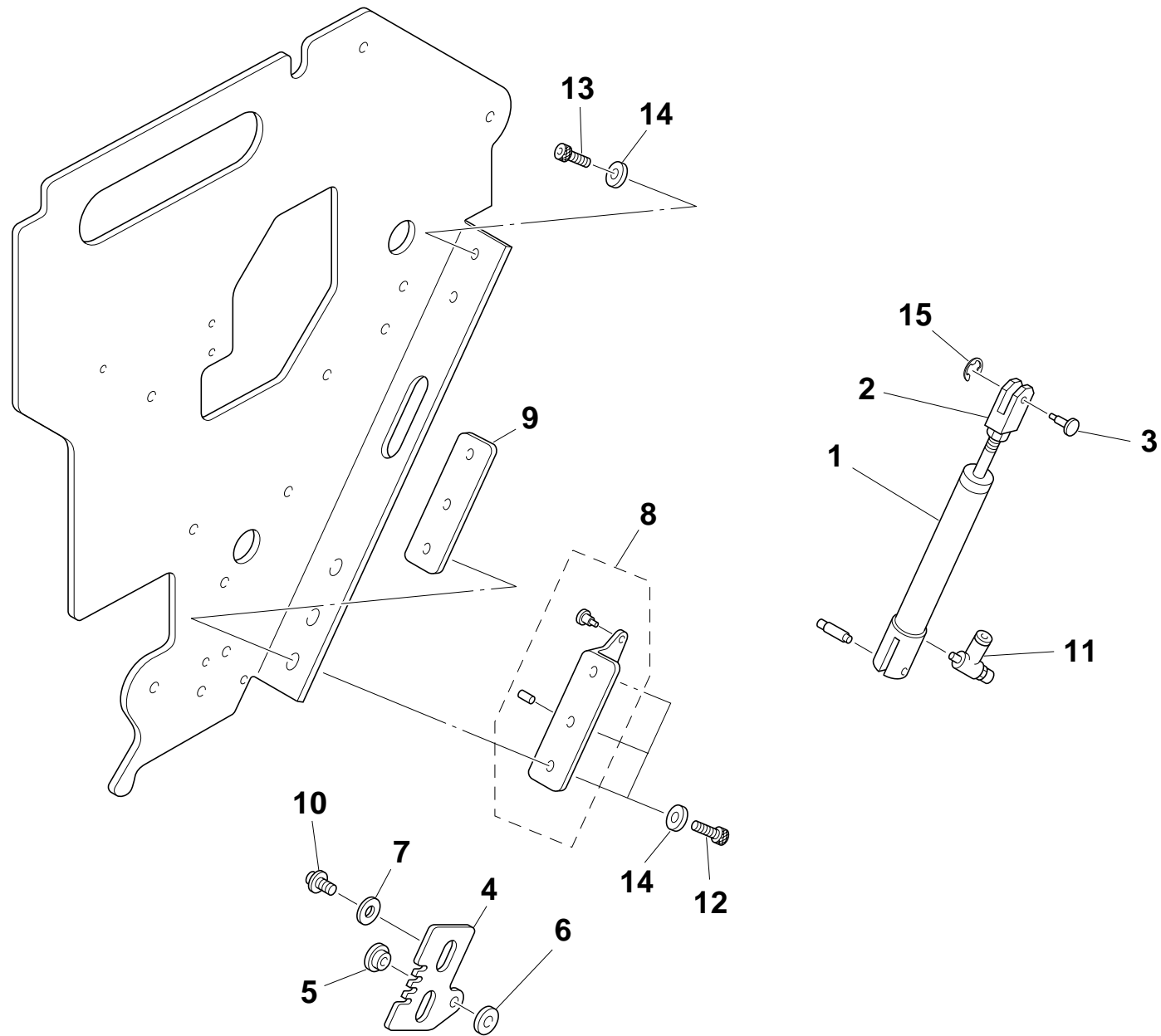
No.	Part No.	Part Name	Q'ty	Remarks	Date	Revised No.
1	K87-M2310-00X	BODY ASSY	1			
2	K87-M1112-00X	KNOCK PIN (FRONT)	1			
3	K87-M231M-00X	STRAIGHT PIN	2			
4	K87-M1115-00X	CIRCULAR RIVET	1			
5	K87-M111D-00X	PUSH PIN	1			
6	K87-M111G-00X	PUSH PIN	1			
7	K87-M2319-00X	BACK STOPPER	1			
8	K87-M231A-00X	BACK STOPPER AXIS	1			
9	K87-M2318-00X	SPRING	1			
10	K87-M211F-00X	STOPPER PIN	1			
11	K87-M231G-00X	LEVER ASSY	1			
12	K87-M231F-00X	PLATE	1			
13	K87-M2316-00X	THRUST WASHER	2			
14	K87-M2317-00X	CAP	1			
15	K87-M2315-00X	MAIN ARM	1			
16	K87-M2321-00X	SPROCKET	1			
17	K87-M232A-00X	RACKING LEVER ASSY	1			
18	K87-M112D-00X	COIL SPRING	1			
19	K87-M212L-00X	SPROCKET AXIS ASSY	1			
20	K87-M231C-00X	SPRING	1			
21	K87-M238D-00X	SUB ARM	1			
22	K87-M111T-00X	SCREW,SET	1			
23	K87-M111X-00X	SCREW,SET	1			
24	K87-M111R-00X	SCREW,SET	2			
25	K87-M111V-10X	SCREW,SET (84D)	2			
26	K87-M23B6-00X	SCREW,FLAT HEAD +	4			
27	K87-M11B9-00X	CIRCLIP E	3			

FV12LP PSA-0012



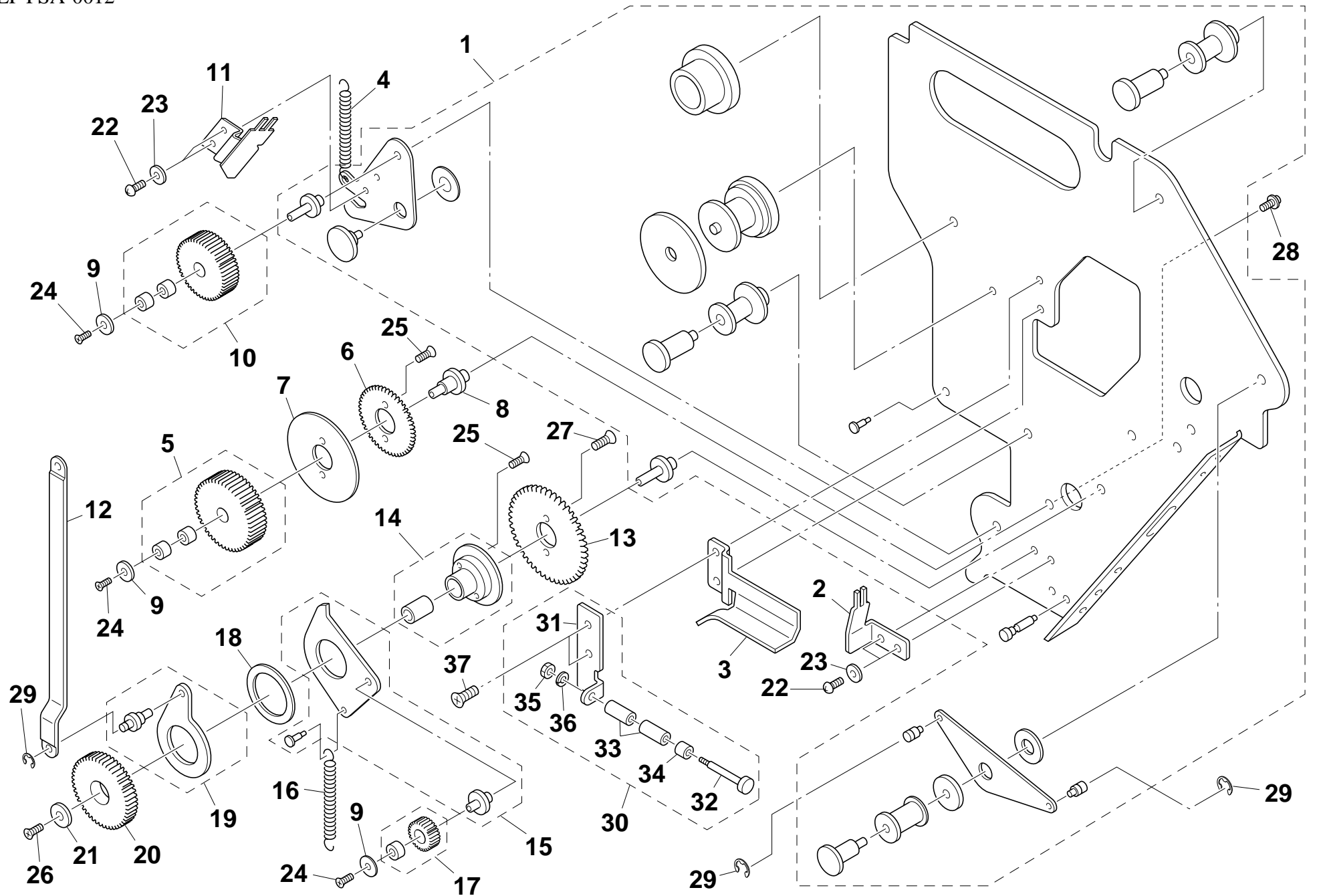
No.	Part No.	Part Name	Q'ty	Remarks	Date	Revised No.
1	K87-M2313-00X	KNOCK PIN (REAR)	1			
2	K87-M2330-00X	CLAMP LEVER ASSY	1			
3	K87-M2335-00X	CLAMP ROLLER	1			
4	K87-M11D7-00X	CIRCLIP E	1			
5	K87-M233A-00X	GUIDE AXIS	3			
6	K87-M2340-00X	TAPE GUIDE ASSY	1			
7	K87-M214A-00X	LOCK LEVER ASSY	1			
8	K87-M23B4-00X	SCREW.SET	1			
9	K87-M23BG-00X	ELBO CONNECTOR	1			
10	K87-M23BH-00X	HOSE	1			

FV12LP PSA-0012



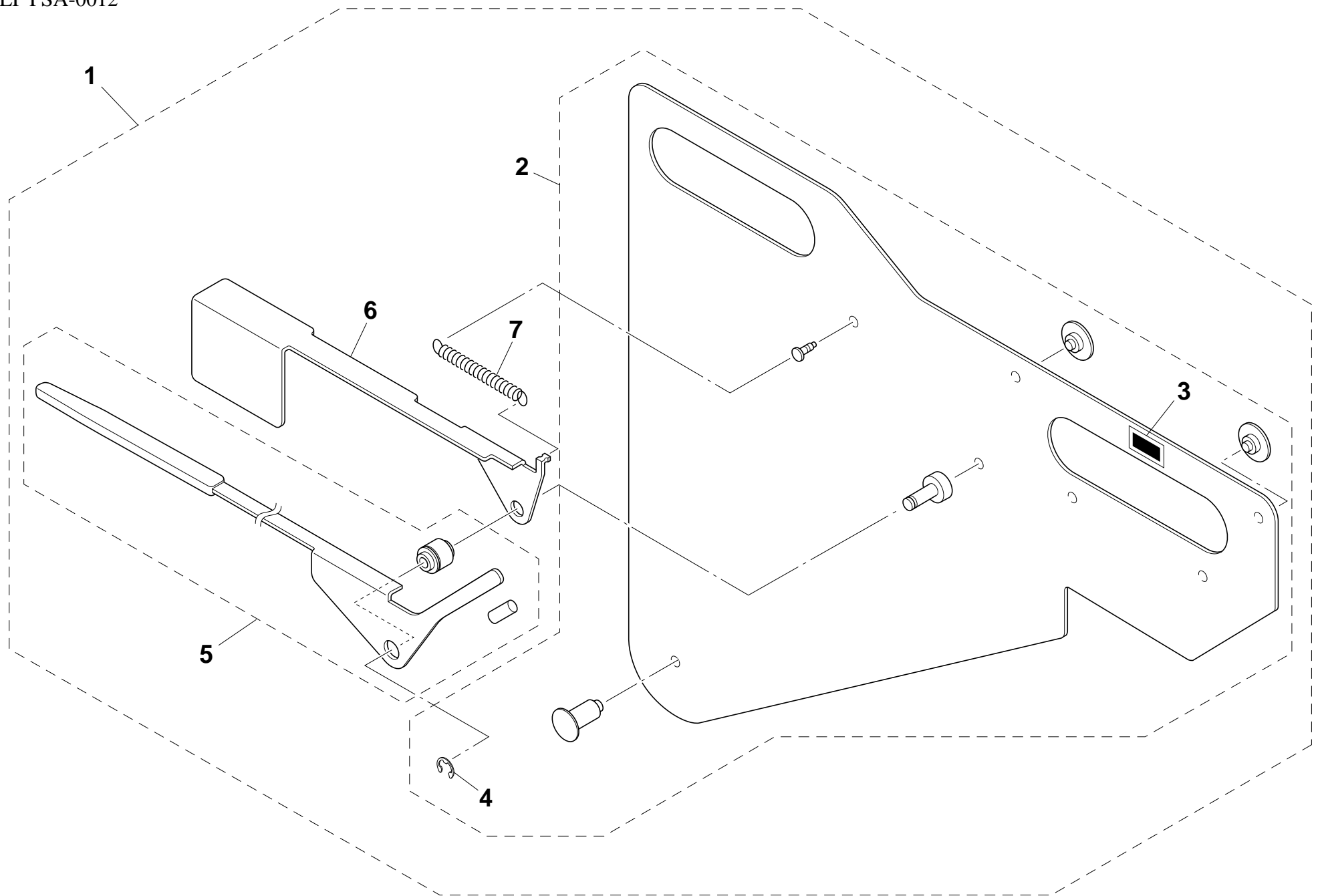
No.	Part No.	Part Name	Q'ty	Remarks	Date	Revised No.
1	K87-M2381-00X	CYLINDER	1			
2	K87-M2382-00X	CYL CONNECTOR	1			
3	K87-M1184-00X	CONNECT PIN	1			
4	K87-M2384-00X	MOVE PLATE	1			
5	K87-M2385-00X	METAL	1			
6	K87-M2386-00X	PLANE WASHER	1			
7	K87-M2387-00X	PLANE WASHER	2			
8	K87-M2389-00X	SET PLATE ASSY	1			
9	K87-M238C-00X	FASTEN PLATE	1			
10	K87-M23B7-00X	SCREW, TRUSS HEAD	2			
11	K87-M23B8-00X	SPEED CONTROLER	1			
12	K87-M23BA-00X	BOLT,HEXAGON SOCKET HEAD	3			
13	K87-M23BB-00X	BOLT,HEXAGON SOCKET HEAD	2			
14	K87-M23BC-00X	PLANE WASHER	5			
15	K87-M11B9-00X	CIRCLIP E	1			

FV12LP PSA-0012



No.	Part No.	Part Name	Q'ty	Remarks	Date	Revised No.
1	K87-M2360-00X	BACK PLATE ASSY	1			
2	K87-M276E-00X	LOWER GUIDE PLATE R	1			
3	K87-M236F-00X	GUIDE PLATE	1			
4	K87-M119P-10X	SPRING (84D)	1			
5	K87-M2790-00X	DRIVE ROLLER ASSY	1			
6	K87-M2394-00X	GEAR	1			
7	K87-M2395-00X	FLANGE	1			
8	K87-M2396-00X	ROLLER AXIS	1			
9	K87-M2397-00X	PLANE WASHER	3			
10	K87-M279A-00X	IDLER ROLLER ASSY	1			
11	K87-M279E-00X	LOWER GUIDE PLATE L	1			
12	K87-M239F-00X	CONNECT ARM	1			
13	K87-M239G-00X	GEAR	1			
14	K87-M239H-00X	LEVER METAL ASSY	1			
15	K87-M239L-00X	INDEX LEVER ASSY	1			
16	K87-M239P-00X	SPRING	1			
17	K87-M2199-00X	DRIVE GEAR ASSY	1			
18	K87-M119J-00X	THRUST WASHER	1			
19	K87-M239U-00X	SUB LEVER ASSY	1			
20	K87-M239X-00X	INDEX GEAR	1			
21	K87-M239Z-00X	PLANE WASHER	1			
22	K87-M111N-00X	SCREW,CIRCULAR HEAD +	4			
23	K87-M11BE-00X	PLANE WASHER	4			
24	K87-M23BJ-00X	SCREW,FLAT HEAD +	3			
25	K87-M11B2-00X	SCREW,FLAT HEAD +	4			
26	K87-M23BL-00X	SCREW, TRUSS	1			
27	K87-M11BC-00X	SCREW,FLAT HEAD +	2			
28	K87-M23BN-00X	SCREW,IT +	1			
29	K87-M11B9-00X	CIRCLIP E	3			
30	K87-M27A0-00X	ROLLER PLATE ASSY	1			
31	K87-M27A1-00X	ROLLER PLATE	1			
32	K87-M27A2-00X	ROLLER SHAFT	1			
33	K87-M27A3-00X	ROLLER	2			
34	K87-M27A4-00X	ROLLER	1			
35	K87-M21BN-00X	SCREW NUT	1			
36	K87-M21BM-00X	SPRING LOCK WASHER	1			
37	K87-M53BS-00X	SCREW,PAN HEAD +	2			

FV12LP PSA-0012



No.	Part No.	Part Name	Q'ty	Remarks	Date	Revised No.
1	K87-M23D0-00X	REEL HOLDER ASSY	1			
2	K87-M23D1-00X	REEL PLATE ASSY	1			
3	K87-M23D3-00X	TAPE SIZE STICKER	1			
4	K87-M11D7-00X	CIRCLIP E	1			
5	K87-M23DA-00X	INDICATOR LEVER ASSY	1			
6	K87-M23DD-00X	REEL BRAKE LEVER	1			
7	K87-M23DE-00X	SPRING	1			