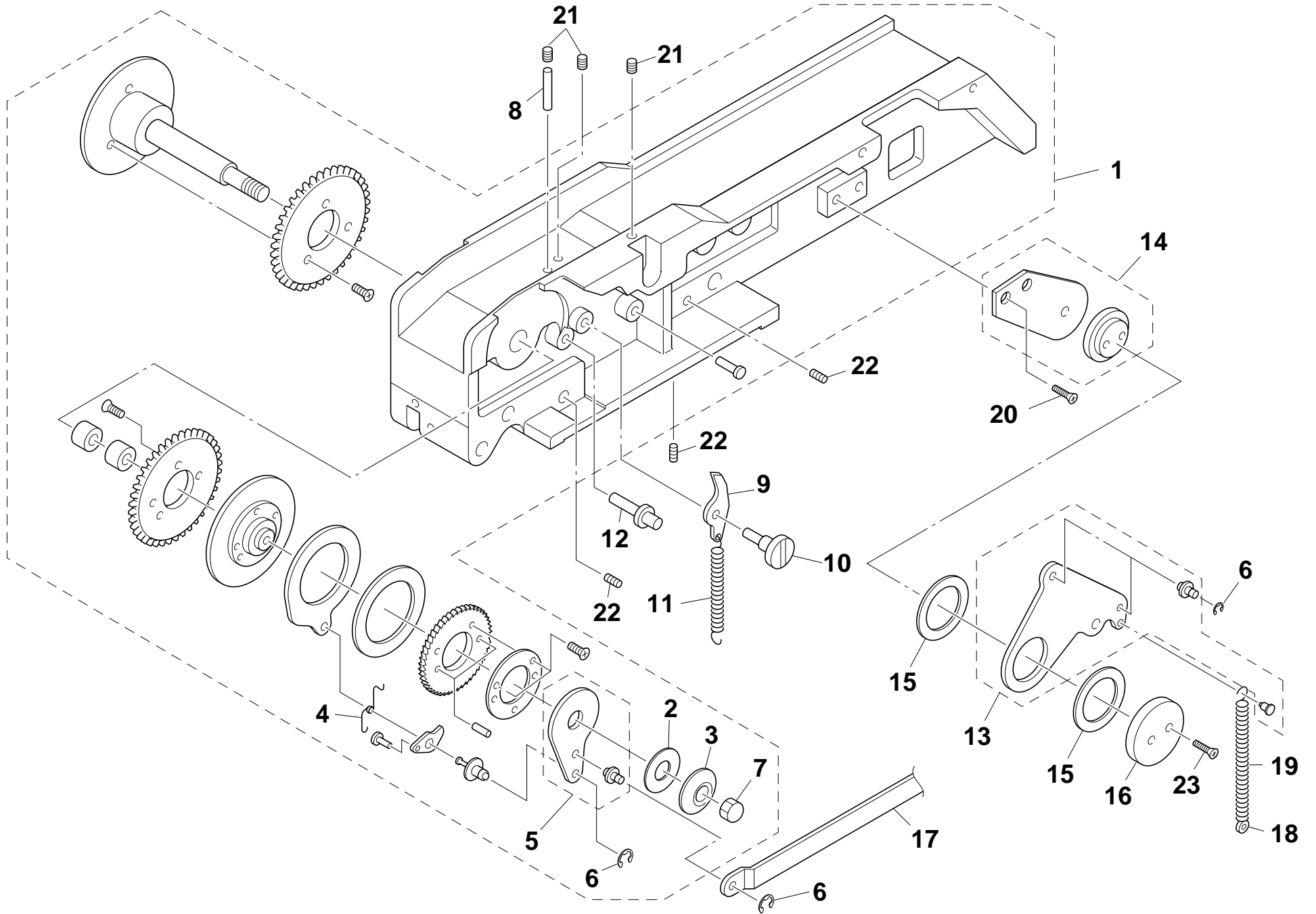
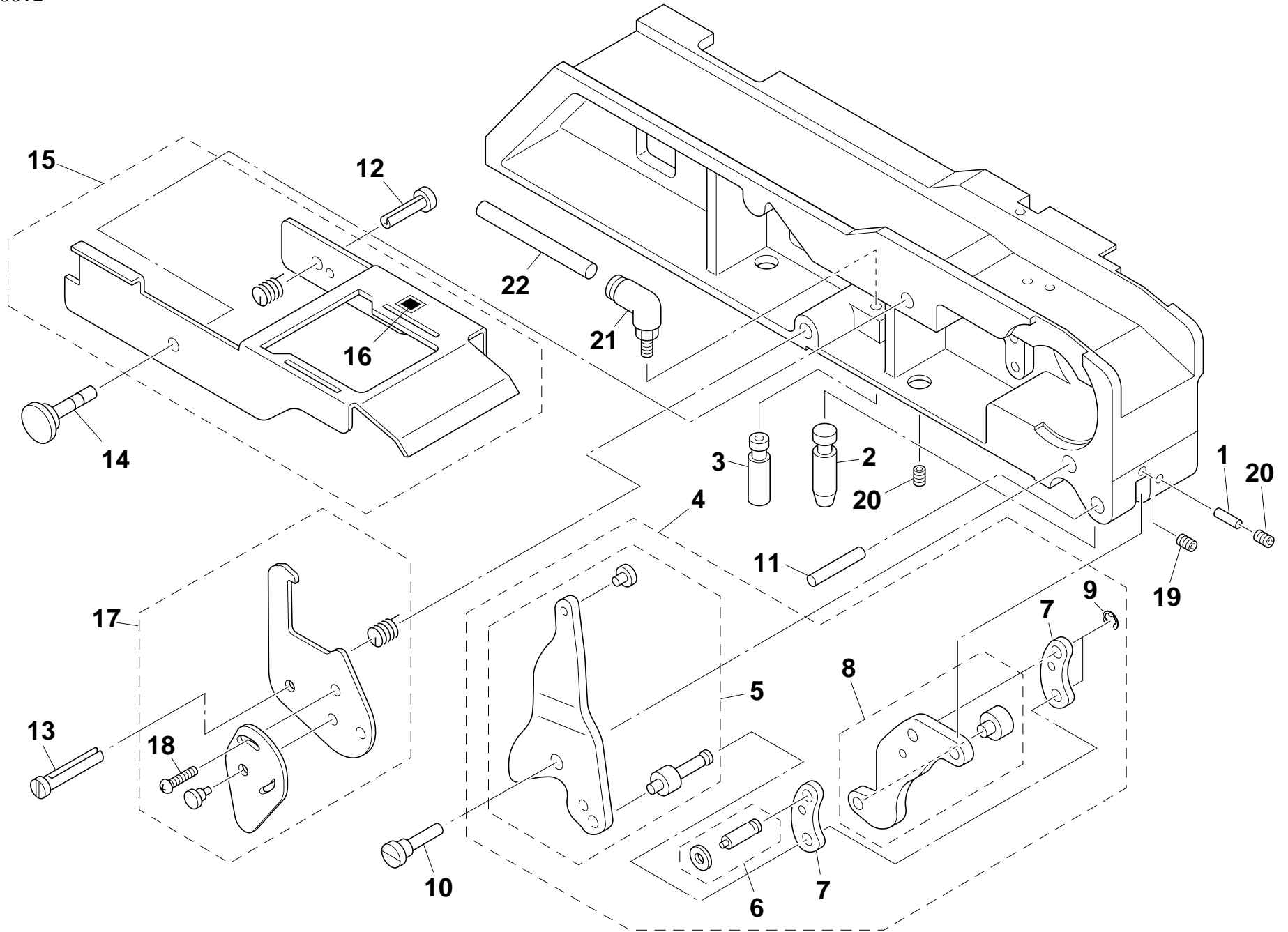


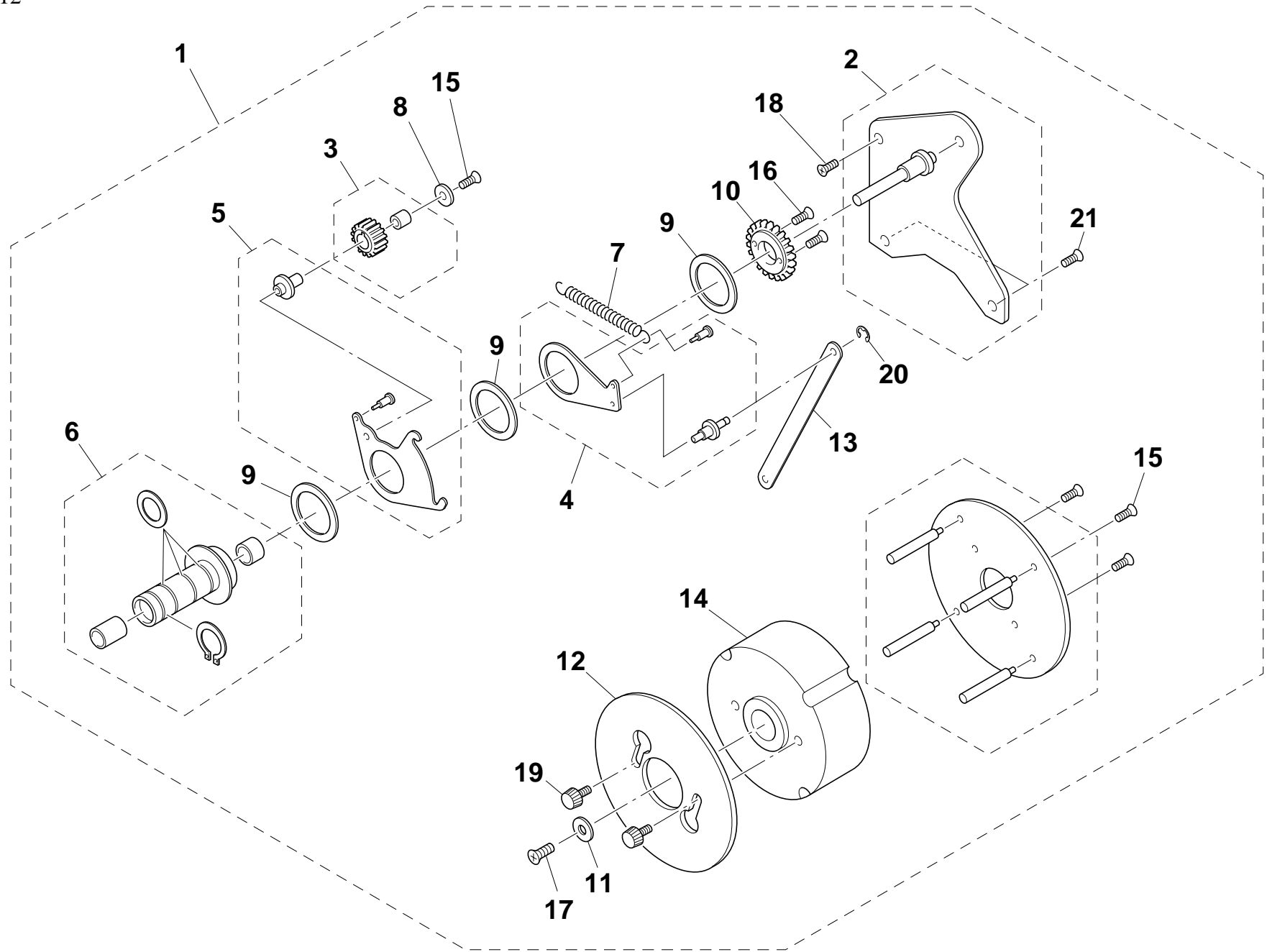
FV44PSA-0012



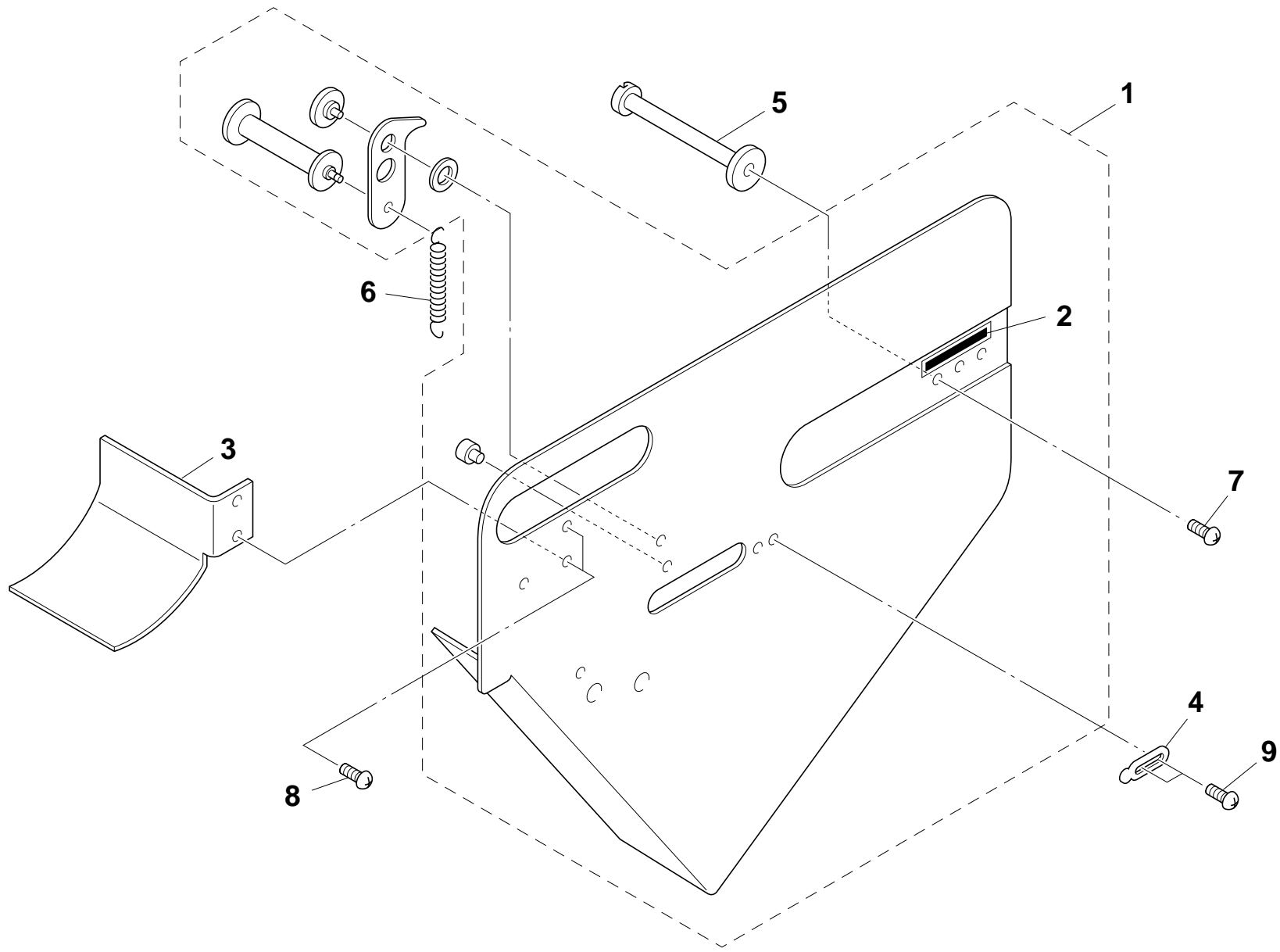
No.	Part No.	Part Name	Q'ty	Remarks	Date	Revised No.
1	K87-M6510-00X	BODY ASSY	1			
2	K87-M116H-00X	THRUST WASHER	1			
3	K87-M552F-00X	PLANE WASHER	1			
4	K87-M532D-00X	COIL SPRING	1			
5	K87-M5520-00X	SUB LEVER ASSY	1			
6	K87-M11B9-00X	CIRCLIP E	4			
7	K87-M55BL-00X	U NUT	1			
8	K87-M111G-10X	PUSH PIN L=10 (84D)	1			
9	K87-M531G-00X	BACK STOPPER	1			
10	K87-M531A-00X	BACK STOPPER AXIS	1			
11	K87-M5319-00X	BACK STPPER SPRING	1			
12	K87-M531E-00X	STOPPER PIN	1			
13	K87-M551G-00X	LEVER ASSY	1			
14	K87-M551L-00X	LEVER METAL ASSY	1			
15	K87-M2316-00X	THRUST WASHER	2			
16	K87-M2317-00X	COVER	1			
17	K87-M5515-00X	MAIN ARM	1			
18	K87-M531C-00X	HOOK	2			
19	K87-M531D-00X	SPRING	1			
20	K87-M55BN-00X	SCREW, FLAT HEAD +	2			
21	K87-M111R-00X	SCREW, SET	3			
22	K87-M111V-10X	SCREW, SWT (84D)	3			
23	K87-M23B6-00X	SCREW, FLAT HEAD +	2			



No.	Part No.	Part Name	Q'ty	Remarks	Date	Revised No.
1	K87-M551B-00X	PUSH PIN L=10	1			
2	K87-M5512-00X	KNOCK PIN (FRONT)	1			
3	K87-M5513-00X	KNOCK PIN (REAR)	1			
4	K87-M2131-00X	CLAMP LEVER UNIT	1			
5	K87-M2132-00X	CLAMP LEVER ASSY	1			
6	K87-M213E-00X	HINGE PIN 2	1			
7	K87-M213D-00X	ARM	2			
8	K87-M213A-00X	CLANK ARM ASSY	1			
9	K87-M11D7-00X	CIRCLIP E	2			
10	K87-M213L-00X	CLAMP LEVER AXIS	1			
11	K87-M213M-00X	AXIS PIN	1			
12	K87-M113L-00X	GUIDE AXIS	1			
13	K87-M533A-00X	GUIDE AXIS	1			
14	K87-M5545-00X	GUIDE AXIS	1			
15	K87-M6540-00X	TAPE GUIDE ASSY	1			
16	K87-M5543-00X	STICKER	1			
17	K87-M534A-00X	LOCK LEVER ASSY	1			
18	K87-M534F-00X	SCREW,TRUSS HEAD +	2			
19	K87-M23B4-00X	SCREW,SET	1			
20	K87-M111V-10X	SCREW,SET (84D)	2			
21	K87-M23BG-00X	ELBO CONNECTOR	1			
22	K87-M55BA-00X	HOSE	1			

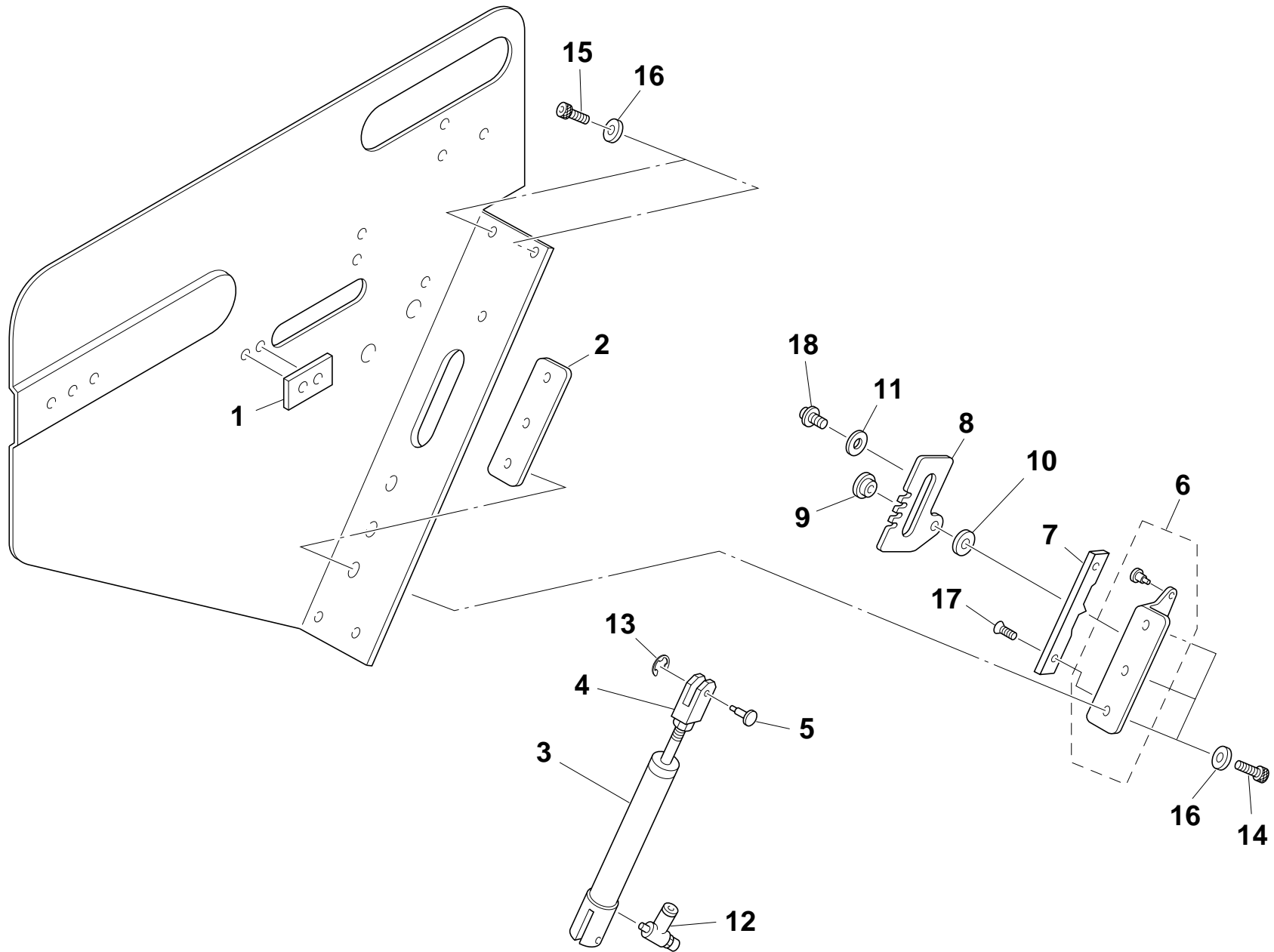


No.	Part No.	Part Name	Q'ty	Remarks	Date	Revised No.
1	K87-M6590-00X	WIND ROLLER ASSY	1			
2	K87-M6591-00X	WIND PLATE ASSY	1			
3	K87-M559A-00X	DRIVE GEAR ASSY	1			
4	K87-M559G-00X	SUB LEVER ASSY	1			
5	K87-M559D-00X	INDENTATION LEVER ASSY	1			
6	K87-M6594-00X	REEL SHAFT ASSY	1			
7	K87-M539M-00X	SPRING	1			
8	K87-M2397-00X	PLANE WASHER	1			
9	K87-M119J-00X	THRUST WASHER	3			
10	K87-M559K-00X	INDEX GEAR	1			
11	K87-M239Y-00X	PLANE WASHER	1			
12	K87-M559U-00X	REEL PLATE	1			
13	K87-M559L-00X	SUB ARM	1			
14	K87-M659T-00X	METAL	1			
15	K87-M23BJ-00X	SCREW, FLAT HEAD +	5			
16	K87-M55BN-00X	SCREW, FLAT HEAD +	2			
17	K87-M55BJ-00X	SCREW, TRUSS HEAD	1			
18	K87-M55BH-00X	SCREW, TRUSS HEAD	1			
19	K87-M55BP-00X	THUMB SCREW	2			
20	K87-M11B9-00X	CIRCLIP E	1			
21	K87-M23B6-00X	SCREW, FLAT HEAD +	2			



No.	Part No.	Part Name	Q'ty	Remarks	Date	Revised No.
1	K87-M6560-00X	REEL PLATE ASSY	1			
2	K87-M5569-00X	REEL SIZE STICKER	1			
3	K87-M6567-00X	GUIDE PLATE	1			
4	K87-M556B-00X	PLATE HOOK	1			
5	K87-M656D-00X	REEL AXIS	1			
6	K87-M556C-00X	SPRING	1			
7	K87-M23B7-00X	SCREW,TRUSS HEAD +	1			
8	K87-M534F-00X	SCREW,TRUSS HEAD +	2			
9	K87-M55BG-00X	SCREW,TRUSS HEAD +	2			

FV44PSA-0301



No.	Part No.	Part Name	Q'ty	Remarks	Date	Revised No.
1	K87-M556E-00X	PLATE	1			
2	K87-M238C-00X	FASTEN PLATE	1			
3	K87-M2381-00X	CYLINDER	1			
4	K87-M2382-00X	CYL CONNECTOR	1			
5	K87-M1184-00X	CONNECT PIN	1			
6	K87-M558A-00X	SET PLATE ASSY	1			
7	K87-M538C-00X	POSITION PLATE	1			
8	K87-M5584-00X	ADJUST PLATE	1			
9	K87-M2385-00X	METAL	1			
10	K87-M2386-00X	PLANE WASHER	1			
11	K87-M2387-00X	PLANE WASHER	1			
12	K87-M43B8-00X	SPEED CONTROLER	1			
13	K87-M11B9-00X	CIRCLIP E	1			
14	K87-M23BA-00X	BOLT,HEXAGON SOCKET HEAD	3			
15	K87-M23BB-00X	BOLT,HEXAGON SOCKET HEAD	3			
16	K87-M23BC-00X	PLANE WASHER	6			
17	K87-M111S-00X	SCREW, FLAT HEAD +	2			
18	K87-M23B7-00X	SCREW, TRUSS HEAD +	2			