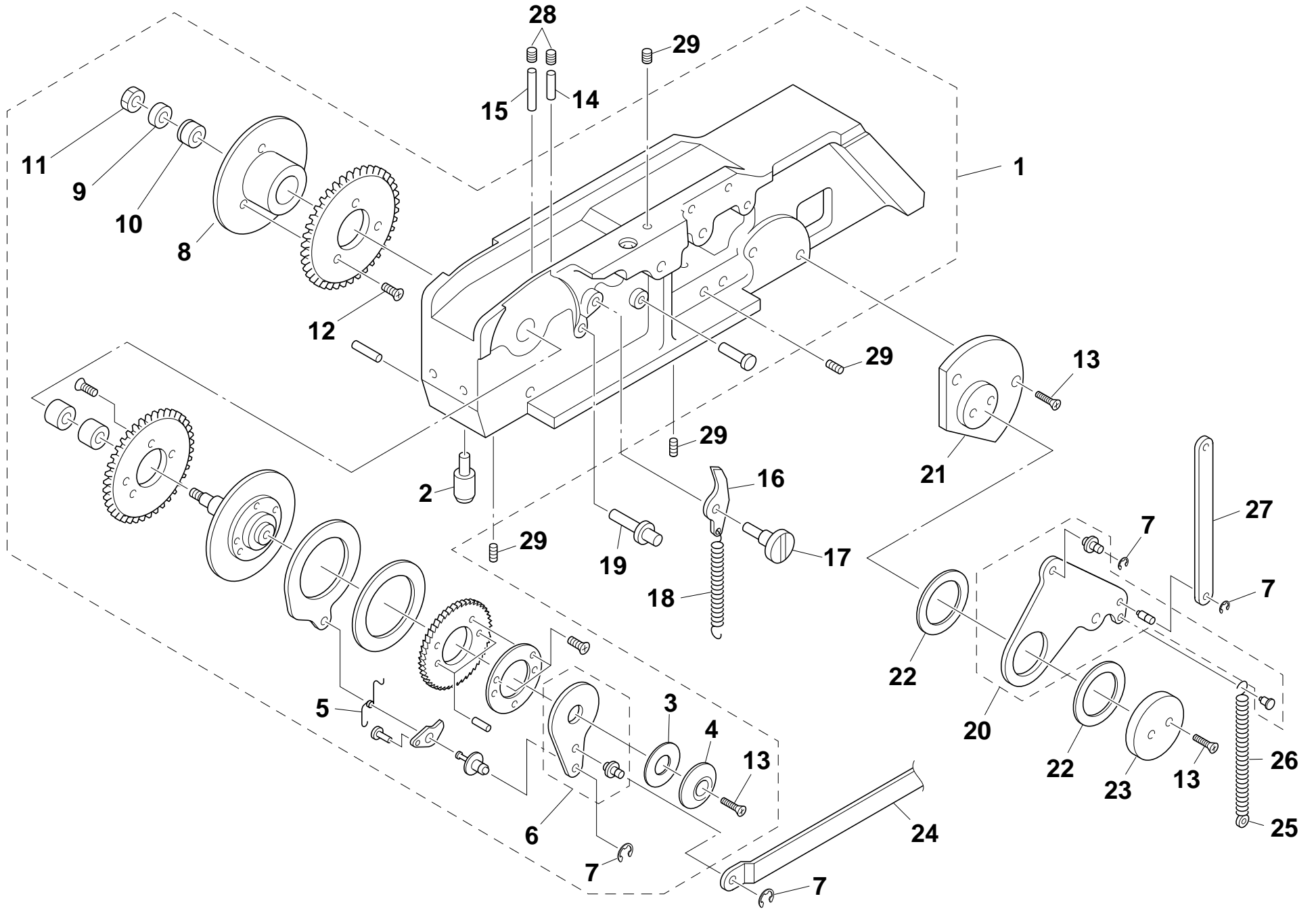
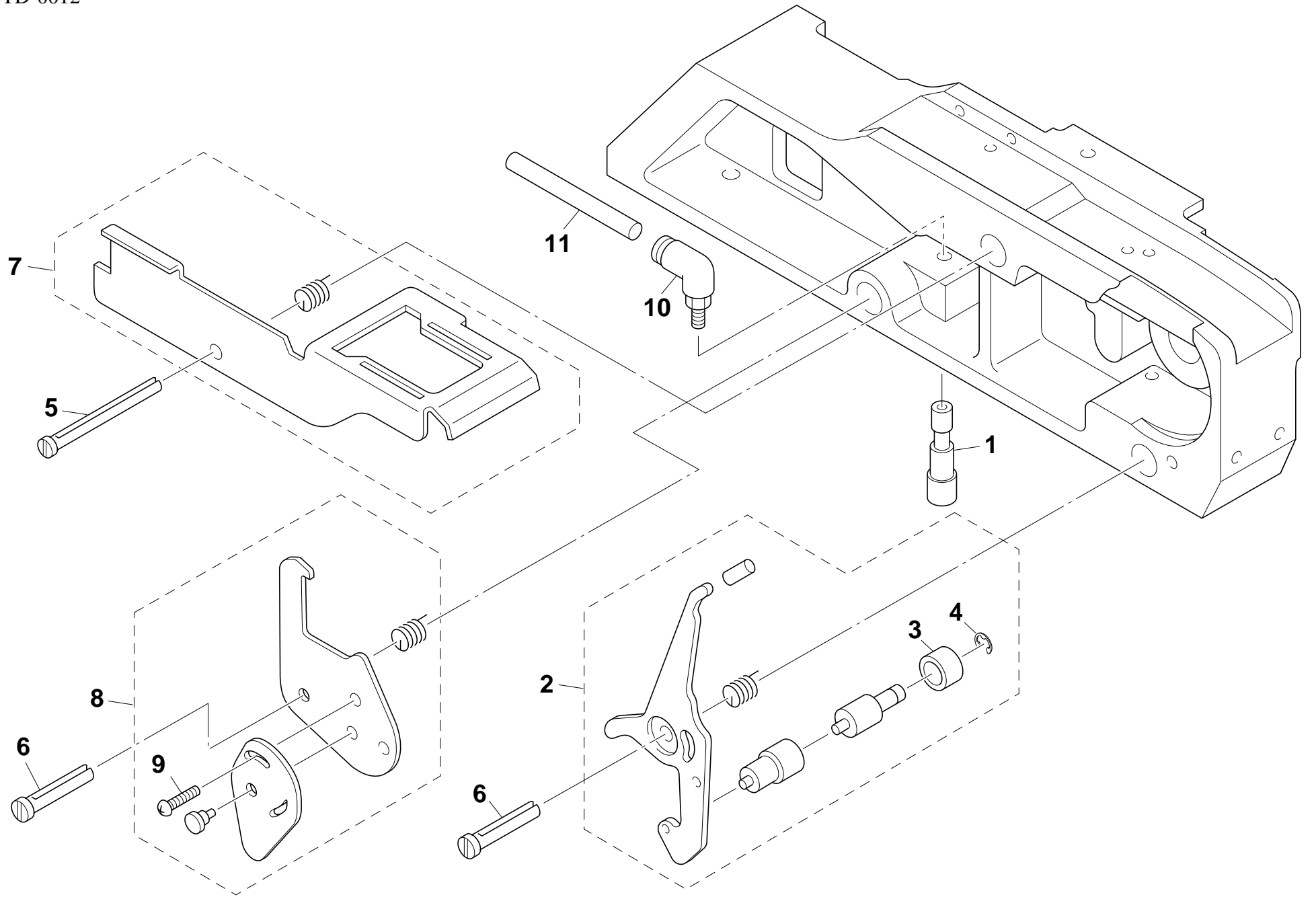


FV44STD-0012

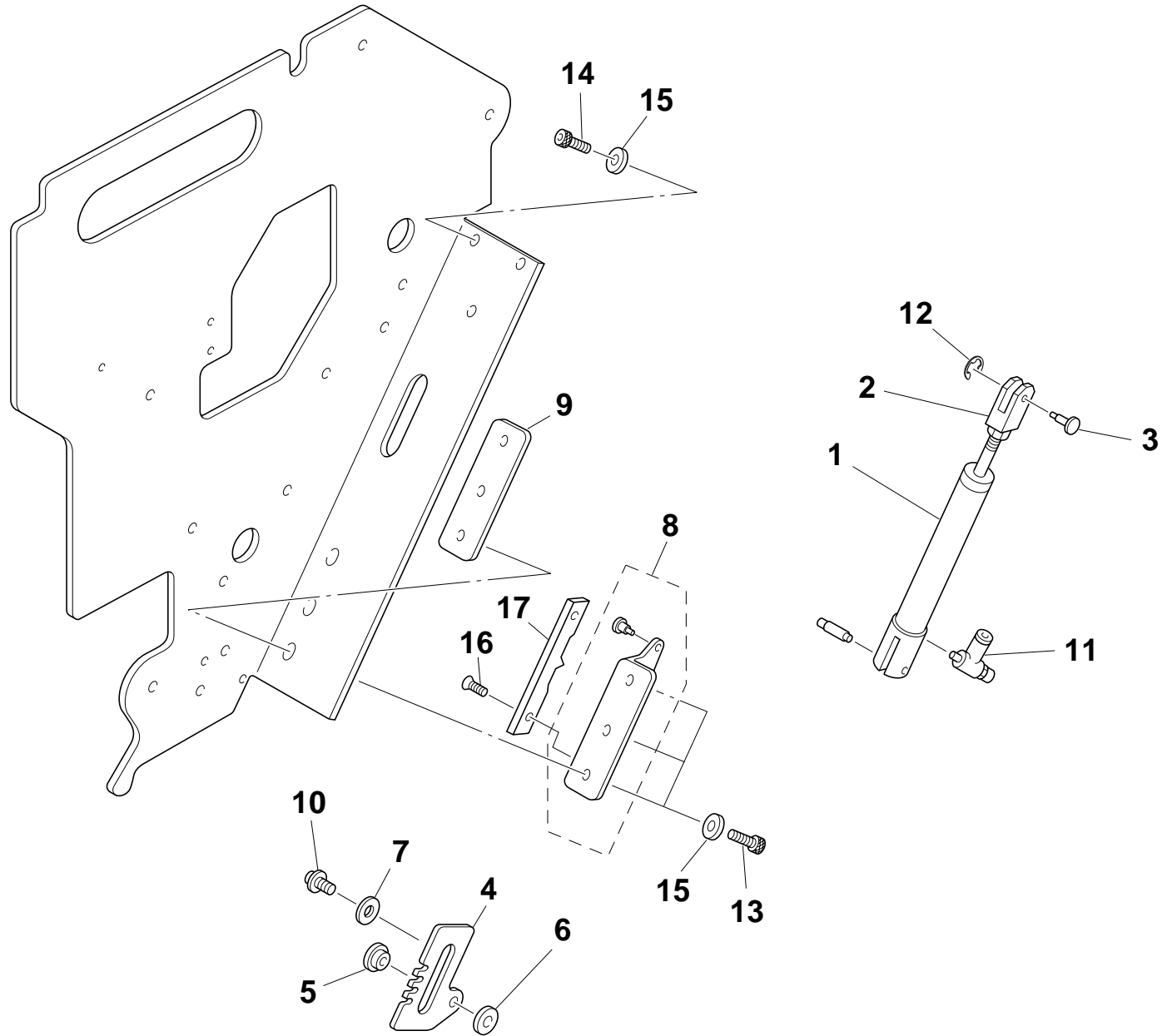


No.	Part No.	Part Name	Q'ty	Remarks	Date	Revised No.
1	K87-M6310-00X	BODY ASSY	1			
2	K87-M1112-00X	KNOCK PIN (FRONT)	1			
3	K87-M116H-00X	THRUST WASHER	1			
4	K87-M5323-00X	CAP	1			
5	K87-M532D-00X	COIL SPRING	1			
6	K87-M5320-00X	SUB LEVER ASSY	1			
7	K87-M11B9-00X	CIRCLIP E	4			
8	K87-M532J-00X	METAL	1			
9	K87-M532L-00X	PRESSURE RING	1			
10	K87-M532K-00X	CLAMP ELEMENT	1			
11	K87-M532M-00X	U NUT	1			
12	K87-M53BP-00X	SCREW,FLAT HEAD +	3			
13	K87-M23B6-00X	SCREW,FLAT HEAD +	5			
14	K87-M531F-00X	PUSH PIN	1			
15	K87-M531B-00X	PUSH PIN	1			
16	K87-M531G-00X	BACK STOPPER	1			
17	K87-M531A-00X	BACK STOPPER AXIS	1			
18	K87-M5319-00X	BACK STOPPER SPRING	1			
19	K87-M531E-00X	STOPPER PIN	1			
20	K87-M431G-00X	LEVER ASSY	1			
21	K87-M231F-00X	PLATE	1			
22	K87-M2316-00X	THRUST WASHER	2			
23	K87-M2317-00X	CAP	1			
24	K87-M5315-00X	MAIN ARM	1			
25	K87-M531C-00X	HOOK	2			
26	K87-M531D-00X	SPRING	1			
27	K87-M238D-00X	SUB ARM	1			
28	K87-M23B4-00X	SCREW,SET	2			
29	K87-M111V-10X	SCREW,SET (84D)	4			



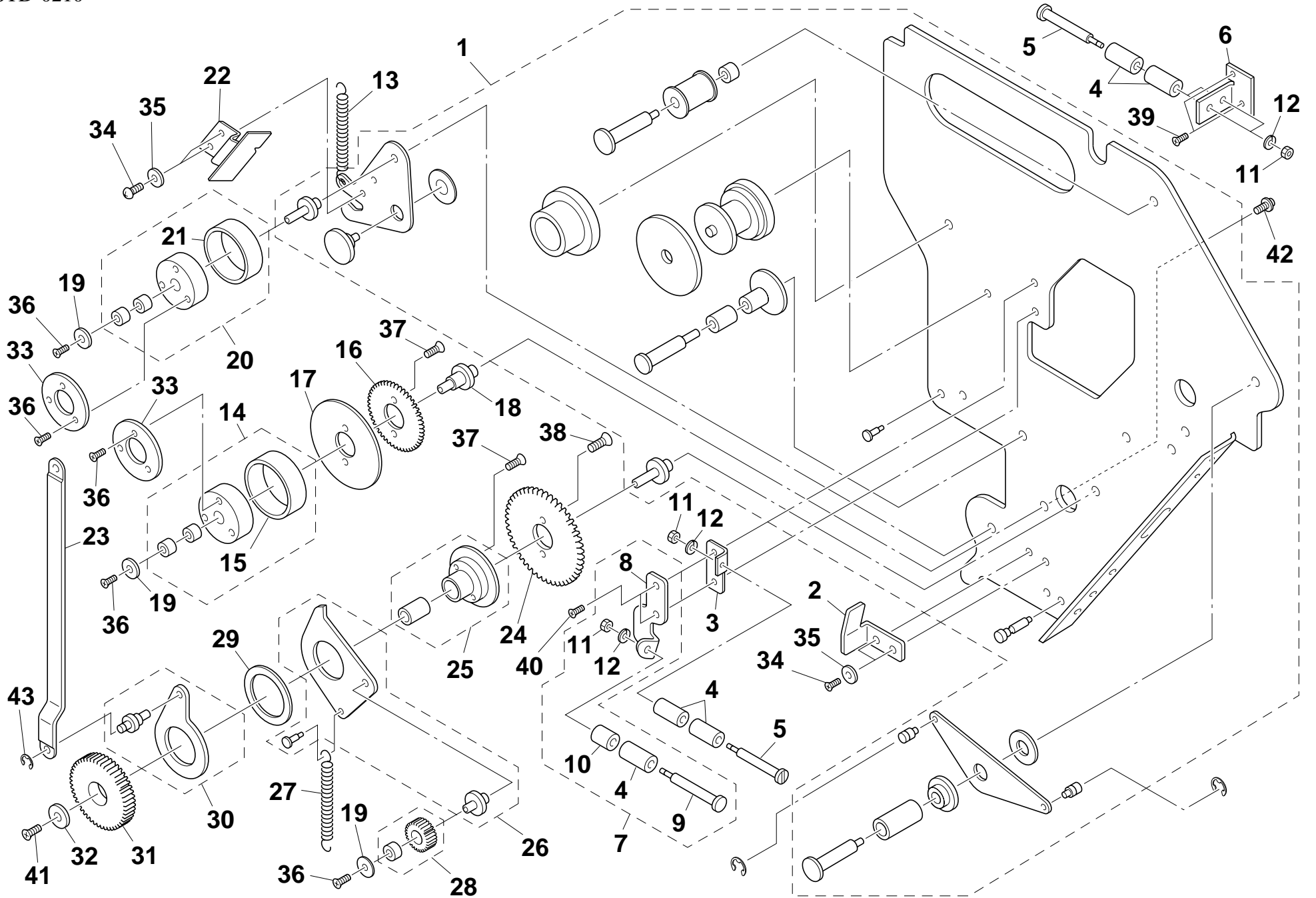
No.	Part No.	Part Name	Q'ty	Remarks	Date	Revised No.
1	K87-M2313-00X	KNOCK PIN (REAR)	1			
2	K87-M5330-00X	CLAMP LEVER ASSY	1			
3	K87-M2335-00X	CLAMP ROLLER	1			
4	K87-M11D7-00X	CIRCLIP E	1			
5	K87-M6342-00X	GUIDE AXIS	1			
6	K87-M533A-00X	GUIDE AXIS	2			
7	K87-M6340-00X	TAPE GUIDE ASSY	1			
8	K87-M534A-00X	LOCK LEVER ASSY	1			
9	K87-M534F-00X	SCREW,FLAT HEAD +	2			
10	K87-M23BG-00X	ELBO CONNECTOR	1			
11	K87-M53BH-00X	HOSE	1			

FV44STD-0301



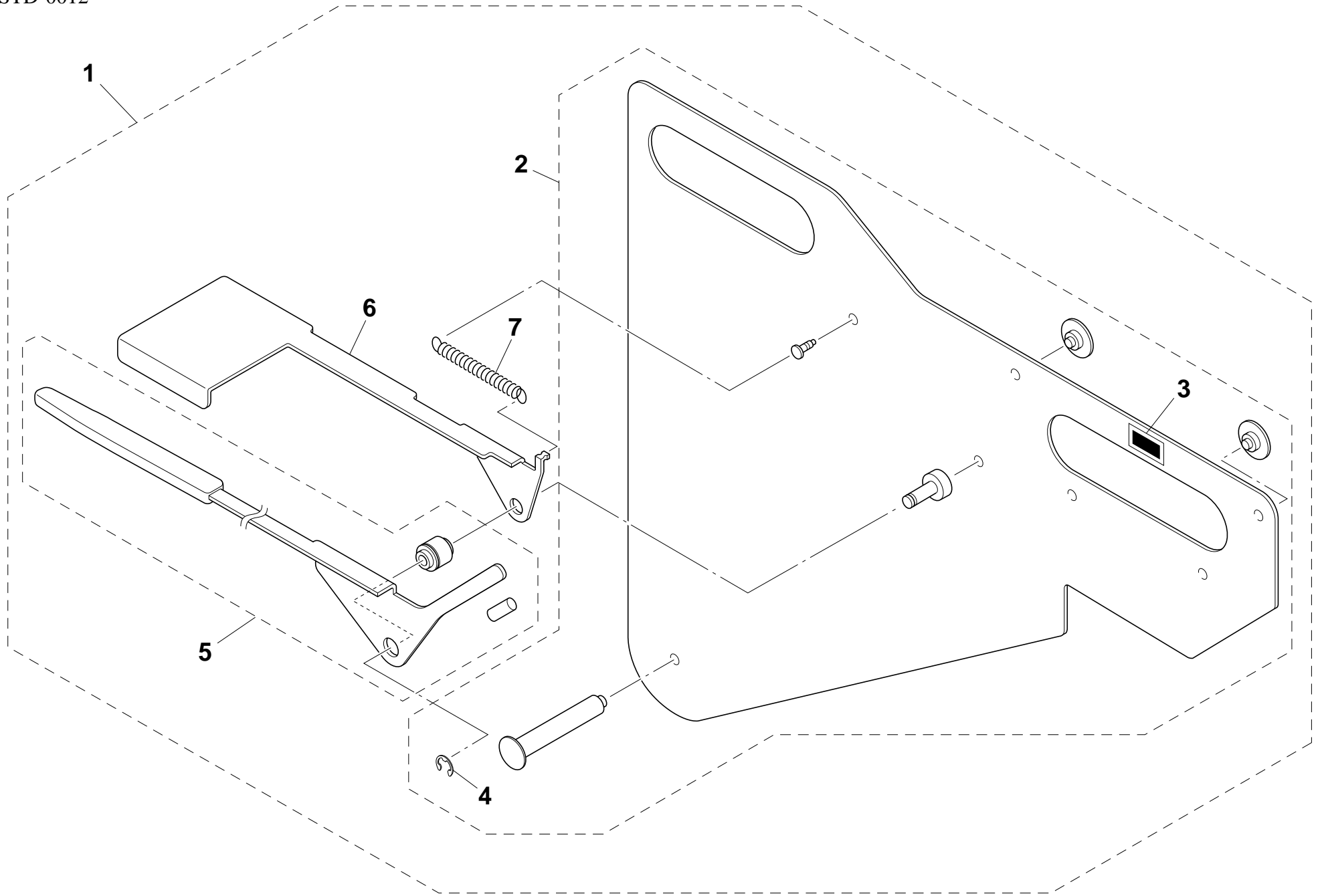
No.	Part No.	Part Name	Q'ty	Remarks	Date	Revised No.
1	K87-M2381-00X	CYLINDER	1			
2	K87-M2382-00X	CYL CONNECTOR	1			
3	K87-M1184-00X	CONNECT PIN	1			
4	K87-M5384-00X	MOVE PLATE	1			
5	K87-M2385-00X	METAL	1			
6	K87-M2386-00X	PLANE WASHER	1			
7	K87-M2387-00X	PLANE WASHER	2			
8	K87-M5389-00X	SET PLATE ASSY	1			
9	K87-M238C-00X	FASTEN PLATE	1			
10	K87-M23B7-00X	SCREW,PAN HEAD +	2			
11	K87-M43B8-00X	SPEED CONTROLER	1			
12	K87-M11B9-00X	CIRCLIP E	3			
13	K87-M23BA-00X	BOLT,HEXAGON SOCKET HEAD	3			
14	K87-M23BB-00X	BOLT,HEXAGON SOCKET HEAD	3			
15	K87-M23BC-00X	PLANE WASHER	6			
16	K87-M111S-00X	FLAT HEAD +	2			
17	K87-M538C-00X	POSITION PLATE	1			

FV44STD-0210



No.	Part No.	Part Name	Q'ty	Remarks	Date	Revised No.
1	K87-M6360-00X	BACK PLATE ASSY	1			
2	K87-M536V-00X	GUIDE PLATE	1			
3	K87-M536F-00X	PLATE	1			
4	K87-M536T-00X	ROLLER	7			
5	K87-M536S-00X	ROLLER AXIS	2			
6	K87-M536R-00X	PLATE	1			
7	K87-M536W-00X	ROLLER SHAFT ASSY	1			
8	K87-M536X-00X	ROLLER SET PLATE	1			
9	K87-M536Y-00X	ROLLER SHAFT	1			
10	K87-M536J-00X	ROLLER	1			
11	K87-M21BN-00X	SCREW NUT	4			
12	K87-M21BM-00X	SPRING LOCK WASHER	4			
13	K87-M536P-00X	SPRING	1			
14	K87-M5390-00X	WIND ROLLER 1 ASSY	1			
15	K87-M5394-00X	ROLLER	1			
16	K87-M5395-00X	GEAR	1			
17	K87-M2395-00X	FLANGE	1			
18	K87-M5397-00X	ROLLER AXIS	1			
19	K87-M2397-00X	PLANE WASHER	3			
20	K87-M539A-00X	WIND ROLLER 2 ASSY	1			
21	K87-M5394-00X	ROLLER	1			
22	K87-M539C-00X	GUIDE PLATE	1			
23	K87-M539D-00X	CONNECT ARM	1			
24	K87-M539E-00X	GEAR	1			
25	K87-M239H-00X	LEVER METAL ASSY	1			
26	K87-M239L-00X	INDEX LEVER ASSY	1			
27	K87-M539M-00X	SPRING	1			
28	K87-M2199-00X	DRIVE GEAR ASSY	1			
29	K87-M119J-00X	THRUST WASHER	1			
30	K87-M239U-00X	SUB LEVER ASSY	1			
31	K87-M239X-00X	INDEX GEAR	1			
32	K87-M239Z-00X	PLANE WASHER	1			
33	K87-M5399-00X	FLANGE	2			
34	K87-M111N-00X	SCREW,CIRCULAR HEAD +	4			
35	K87-M111BE-00X	PLANE WASHER	4			
36	K87-M23BJ-00X	SCREW,FLAT HEAD +	9			
37	K87-M111B2-00X	SCREW,FLAT HEAD +	4			
38	K87-M111BC-00X	SCREW,FLAT HEAD +	2			
39	K87-M53BS-00X	SCREW,SEMICIRCULAR HEAD +	2			
40	K87-M111W-00X	SCREW,SEMICIRCULAR HEAD +	2			
41	K87-M55BJ-00X	SCREW,TRUSS HEAD	1			
42	K87-M23BN-00X	SCREW,IT +	1			
43	K87-M111B9-00X	CIRCLIP E	1			

FV44STD-0012



No.	Part No.	Part Name	Q'ty	Remarks	Date	Revised No.
1	K87-M63D0-00X	REEL HOLDER ASSY	1			
2	K87-M63D1-00X	REEL PLATE ASSY	1			
3	K87-M63D4-00X	TAPE SIZE STICKER	1			
4	K87-M53BX-00X	CIRCLIP U	1			
5	K87-M53DA-00X	INDICATOR LEVER ASSY	1			
6	K87-M53DE-00X	REEL BRAKE LEVER	1			
7	K87-M23DE-00X	SPRING	1			