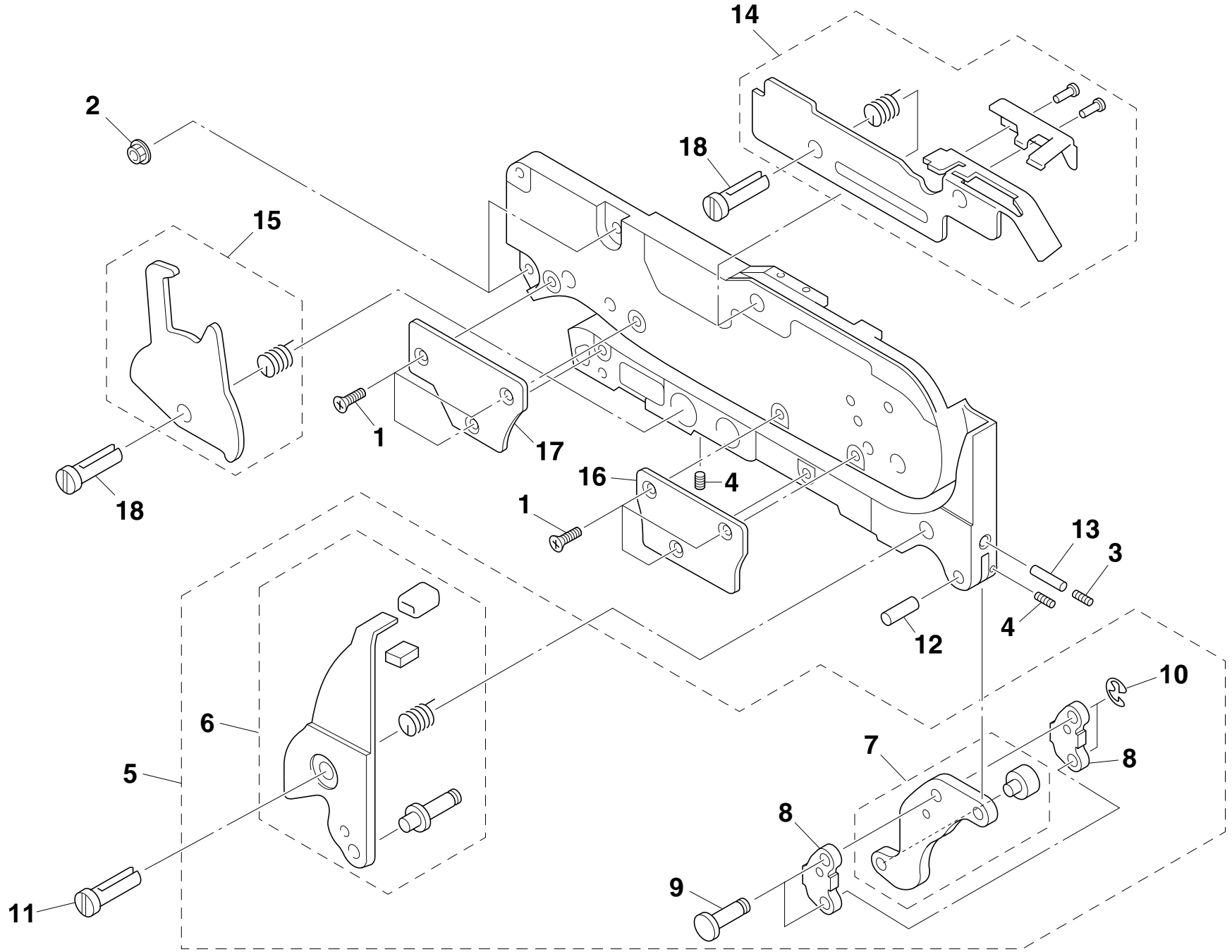
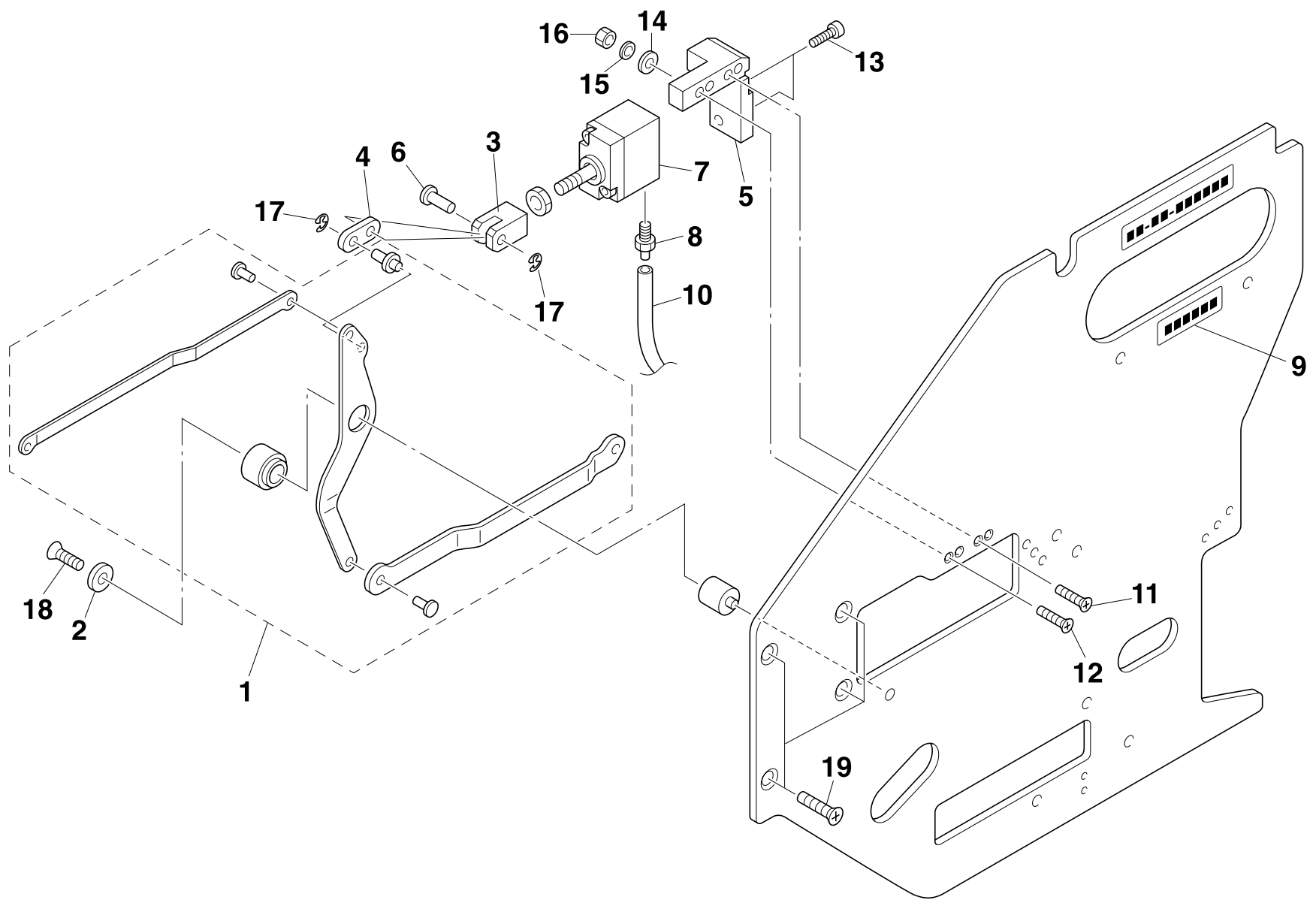


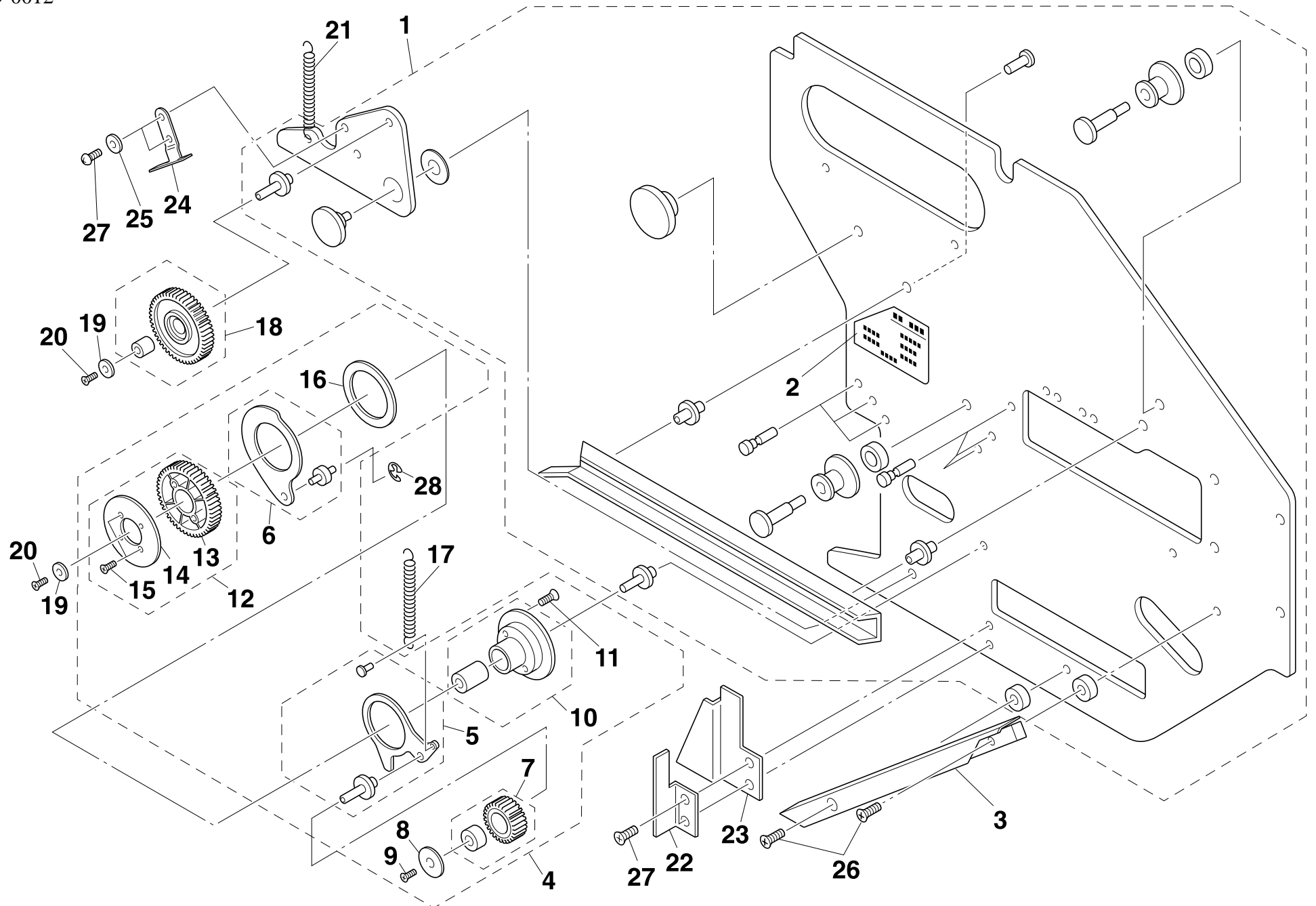
No.	Part No.	Part Name	Q'ty	Remarks	Date	Revised No.
1	K87-M1110-10X	BODY ASSY	1			
2	K87-M1112-10X	KNOCK PIN (FRONT)	1			
3	K87-M1113-10X	KNOCK PIN (REAR)	1			
4	K87-M1114-00X	NEEDLE ROLLER	1			
5	K87-M1115-00X	CIRCULAR RIVET	2			
6	K87-M111A-10X	SPRING	1			
7	K87-M111B-00X	BACK STOPPER AXIS	1			
8	K87-M111C-00X	PLANE WASHER	1			
9	K87-M111D-00X	PUSH PIN	1			
10	K87-M111E-10X	SPRING	1			
11	K87-M111F-10X	STOPPER PIN	1			
12	K87-M111G-10X	PUSH PIN	1			
13	K87-M111H-10X	BACK STOPPER	1			
14	K87-M111L-00X	BARB CONNECTOR STRAIGHT	1			
15	K87-M111M-00X	GASKET	1			
16	K87-M111N-00X	SCREW,PAN HEAD +	1			
17	K87-M111P-00X	SCREW,FLAT HEAD +	1			
18	K87-M111R-00X	SCREW,SET	4			
19	K87-M1120-00X	SPROCKET	1			
20	K87-M112A-10X	RACKING LEVER ASSY	1			
21	K87-M112D-00X	COIL SPRING	1			
22	K87-M112L-10X	SPROCKET AXIS ASSY	1			



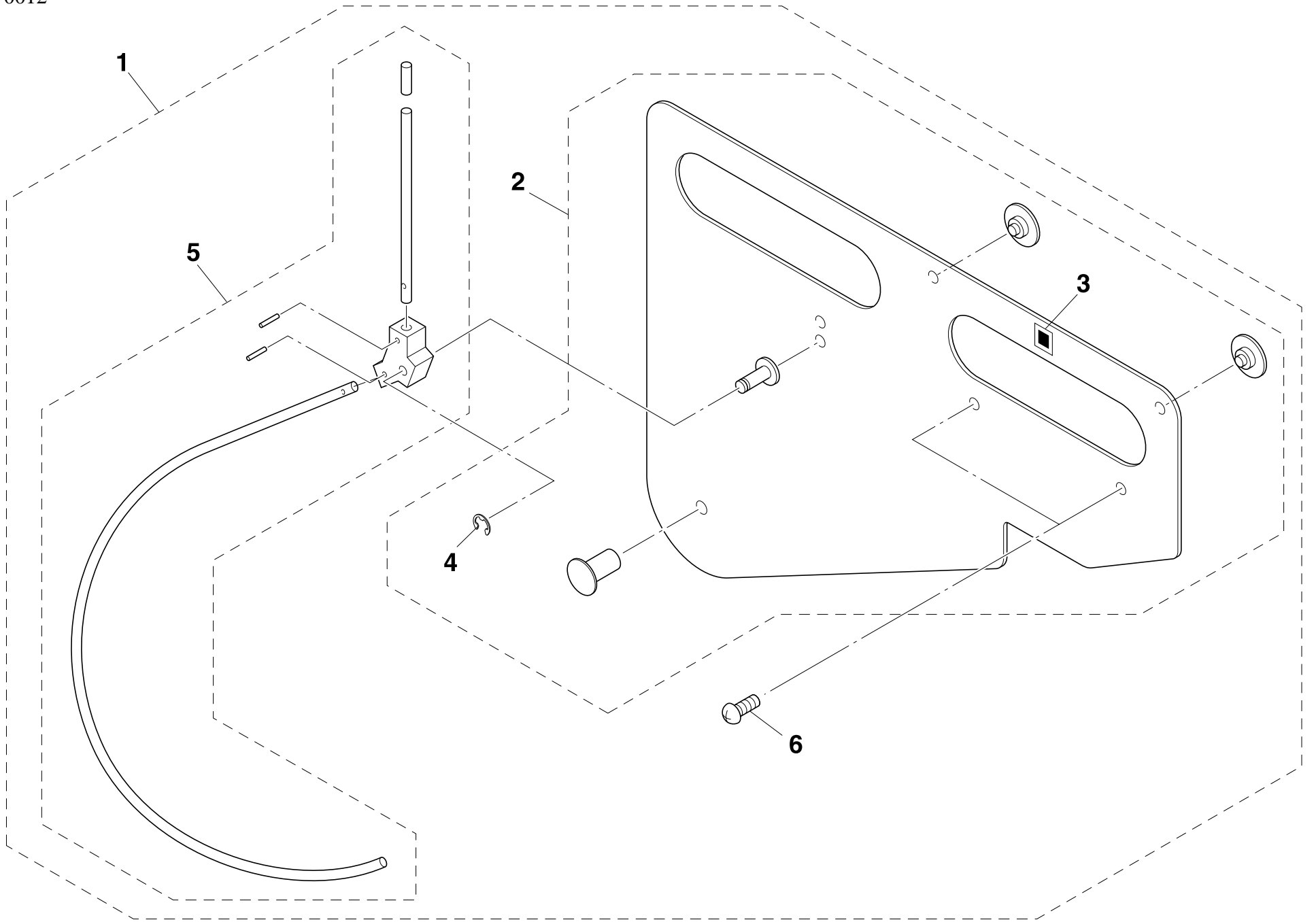
No.	Part No.	Part Name	Q'ty	Remarks	Date	Revised No.
1	K87-M111S-00X	SCREW,FLAT HEAD +	6			
2	K87-M111U-00X	SCREW FLANGE NUT	2			
3	K87-M111V-00X	SCREW,SET	1			
4	K87-M111X-00X	SCREW,SET	2			
5	K87-M1131-00X	CLAMP LEVER UNIT	1			
6	K87-M1132-10X	CLAMP LEVER ASSY	1			
7	K87-M113A-00X	CLANK ARM ASSY	1			
8	K87-M113D-00X	ARM	2			
9	K87-M113E-00X	HINGE PIN 2	1			
10	K87-M11D7-00X	CIRCLIP E	2			
11	K87-M113L-10X	CLAMP LEVER AXIS	1			
12	K87-M113M-00X	AXIS PIN	1			
13	K87-M113H-00X	PUSH PIN	1			
14	K87-M1140-10X	TAPE GUIDE ASSY	1			
15	K87-M114A-10X	LOCK LEVER ASSY	1			
16	K87-M114L-10X	SUPPORT PLATE	1			
17	K87-M114M-10X	SUPPORT PLATE	1			
18	K87-M114N-00X	GUIDE AXIS	2			



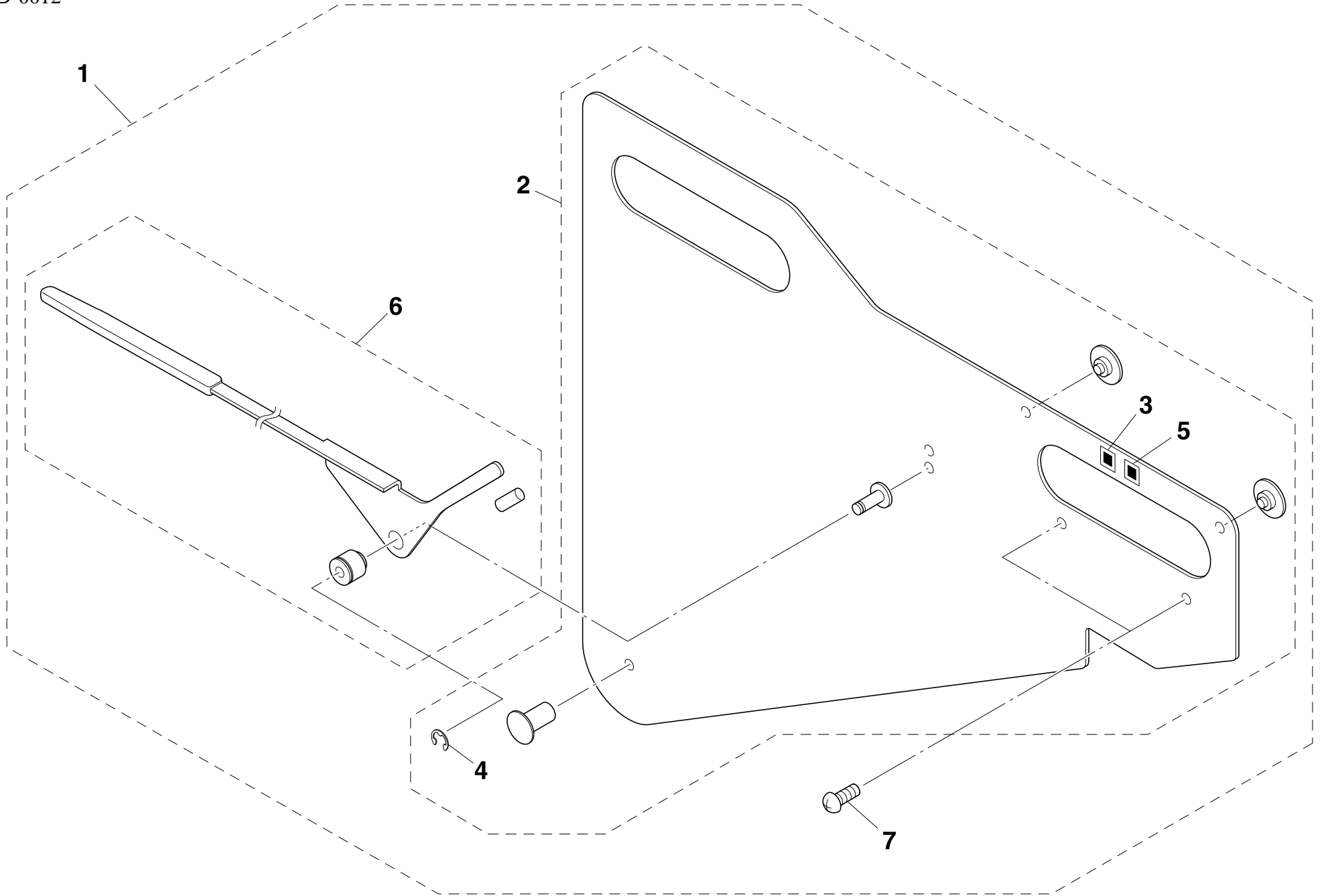
No.	Part No.	Part Name	Q'ty	Remarks	Date	Revised No.
1	K87-M1173-00X	MAIN ARM ASSY	1			
2	K87-M117B-00X	PLANE WASHER	1			
3	K87-M1181-00X	ROD CONNECT	1			
4	K87-M1182-00X	ARM	1			
5	K87-M1183-00X	CYLINDER HOLDER	1			
6	K87-M1184-00X	CONNECT PIN	1			
7	K87-M1185-00X	MULTI CYLINDER	1			
8	K87-M1186-00X	BARB CONNECTOR STRAIGHT	1			
9	K87-M118J-00X	PA NO. SEAL	1			
10	K87-M11B1-00X	AIR HOSE (145)	1			
11	K87-M11B2-00X	SCREW,FLAT HEAD +	1			
12	K87-M11B3-00X	SCREW,FLAT HEAD +	1			
13	K87-M11B5-00X	BOLT,HEXAGON SOCKET HEAD	2			
14	K87-M11B6-00X	PLANE WASHER	1			
15	K87-M11B7-00X	SPRING LOCK WASHER	1			
16	K87-M11B8-00X	SCREW NUT	1			
17	K87-M11B9-00X	CIRCLIP E	2			
18	K87-M11BB-00X	SCREW,FLAT HEAD + IB	1			
19	K87-M11B4-10X	SCREW,FLAT HEAD +	4			



No.	Part No.	Part Name	Q'ty	Remarks	Date	Revised No.
1	K87-M1160-10X	BACK PLATE ASSY	1			
2	K87-M116D-00X	SPRING STICKER	1			
3	K87-M1169-00X	GUIDE PLATE	1			
4	K87-M1191-10X	DRIVE ROLLER UNIT	1			
5	K87-M1192-00X	INDENTATION LEVER ASSY	1			
6	K87-M1196-00X	SUB LEVER ASSY	1			
7	K87-M1199-10X	DRIVE GEAR ASSY	1			
8	K87-M117B-00X	PLANE WASHER	1			
9	K87-M11BB-00X	SCREW,FLAT HEAD + IB	1			
10	K87-M119C-00X	LEVER METAL ASSY	1			
11	K87-M11BC-00X	SCREW,FLAT HEAD +	2			
12	K87-M119F-10X	DRIVE ROLLER ASSY	1			
13	K87-M119G-10X	DRIVE ROLLER	1			
14	K87-M119H-00X	COVER PLATE	1			
15	K87-M11BA-00X	SCREW,FLAT HEAD +	2			
16	K87-M119J-00X	THRUST WASHER	1			
17	K87-M119K-00X	SPRING	1			
18	K87-M119L-10X	IDLE ROLLER ASSY	1			
19	K87-M117B-00X	PLANE WASHER	2			
20	K87-M11BB-00X	SCREW,FLAT HEAD + IB	2			
21	K87-M119P-10X	SPRING	1			
22	K87-M11A1-10X	LOWER GUIDE PLATE	1			
23	K87-M11A2-00X	COVER PLATE	1			
24	K87-M11A3-10X	LOWER GUIDE PLATE	1			
25	K87-M11BE-00X	PLANE WASHER	2			
26	K87-M11BF-00X	SCREW,FLAT HEAD +IB	2			
27	K87-M111N-00X	SCREW,PAN HEAD +	4			
28	K87-M11B9-00X	CIRCLIP E	1			



No.	Part No.	Part Name	Q'ty	Remarks	Date	Revised No.
1	K87-M11D0-00X	REEL HOLDER ASSY	1			
2	K87-M11D1-00X	REEL PLATE ASSY	1			
3	K87-M11D3-00X	TAPE SIZE STICKER	1			
4	K87-M11D7-00X	CIRCLIP E	1			
5	K87-M11DA-00X	INDICATOR LEVER ASSY	1			
6	K87-M111N-00X	SCREW,PAN HEAD +	2			



No.	Part No.	Part Name	Q'ty	Remarks	Date	Revised No.
1	K87-M12D0-00X	REEL HOLDER ASSY	1			
2	K87-M12D1-00X	REEL PLATE ASSY	1			
3	K87-M11D3-00X	TAPE SIZE STICKER	1			
4	K87-M11D7-00X	CIRCLIP E	1			
5	K87-M12D8-00X	REEL SIZE STICKER	1			
6	K87-M12DA-00X	INDICATOR LEVER ASSY	1			
7	K87-M111N-00X	SCREW,PAN HEAD +	2			